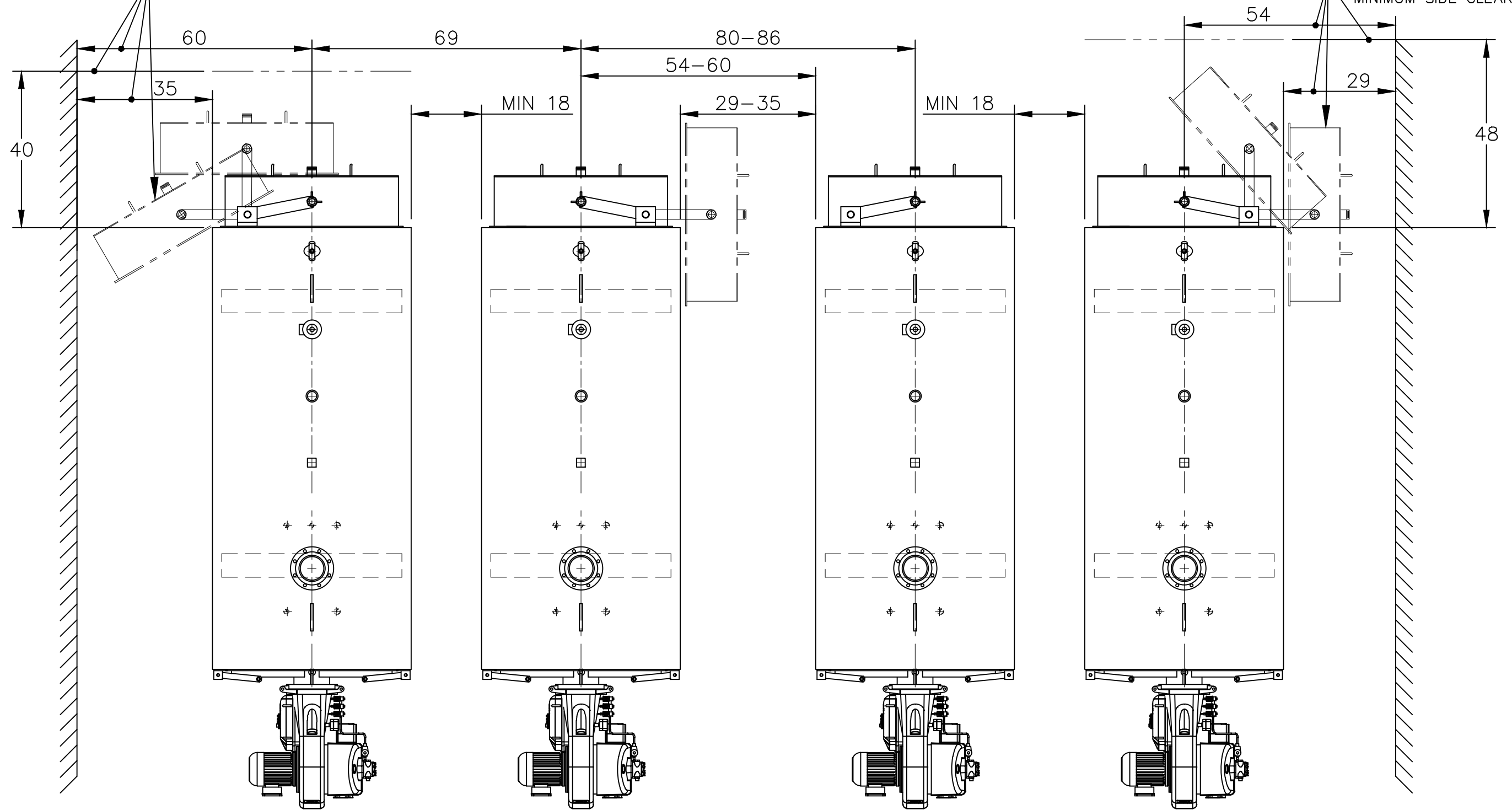


DOOR OPENING WITH
MINIMUM REAR CLEARANCE
MAXIMUM SIDE CLEARANCE

DOOR OPENING WITH
MAXIMUM REAR CLEARANCE
MINIMUM SIDE CLEARANCE



NOTES

- 1) ALL DIMENSIONS ARE IN INCHES.
- 2) SEE DIMENSIONAL DRAWING AP-A-1108 (For 5000MBH) OR AP-A-1109 (For 6000MBH) FOR BOILER DIMENSIONS.
- 3) CHECK WITH AUTHORITY HAVING JURISDICTION FOR ANY ADDITIONAL LOCAL REQUIREMENTS.
- 4) AERCO RESERVES THE RIGHT TO MODIFY BOILER DIMENSIONS WITHOUT PRIOR NOTICE.

AERCO 100 ORITANI DRIVE BLAUVELT, NY 10913
A WATTS Brand aercocom

MFC II 5000/6000 MBH
CLEARANCE & INSTALLATION DRAWING

DWN.BY K.S. DATE 061826
SCALE NTS
REV.BY _____ DATE _____

SD-A-1397

REV.
A