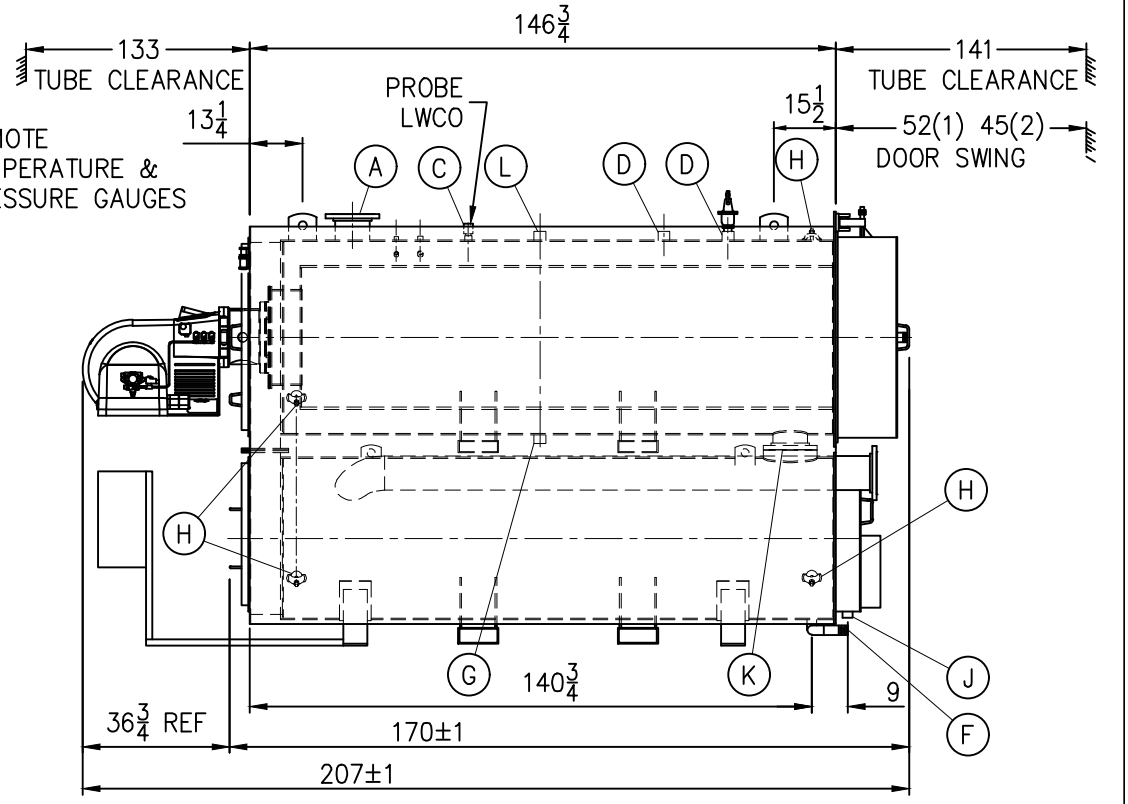
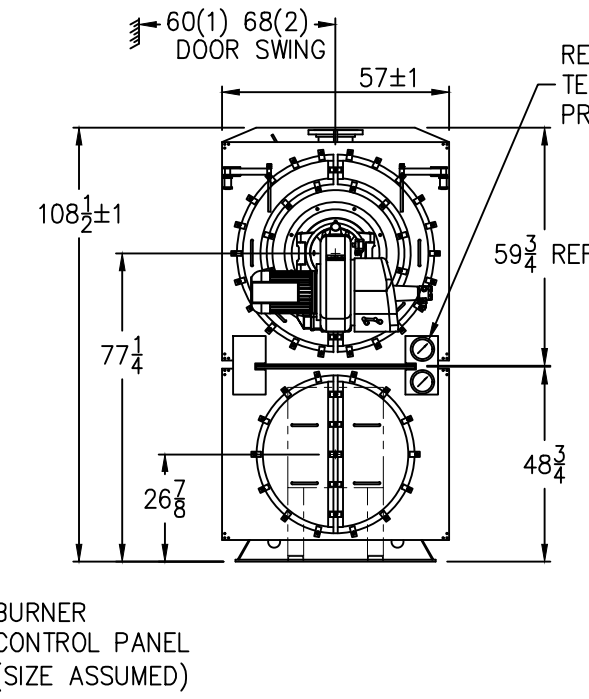
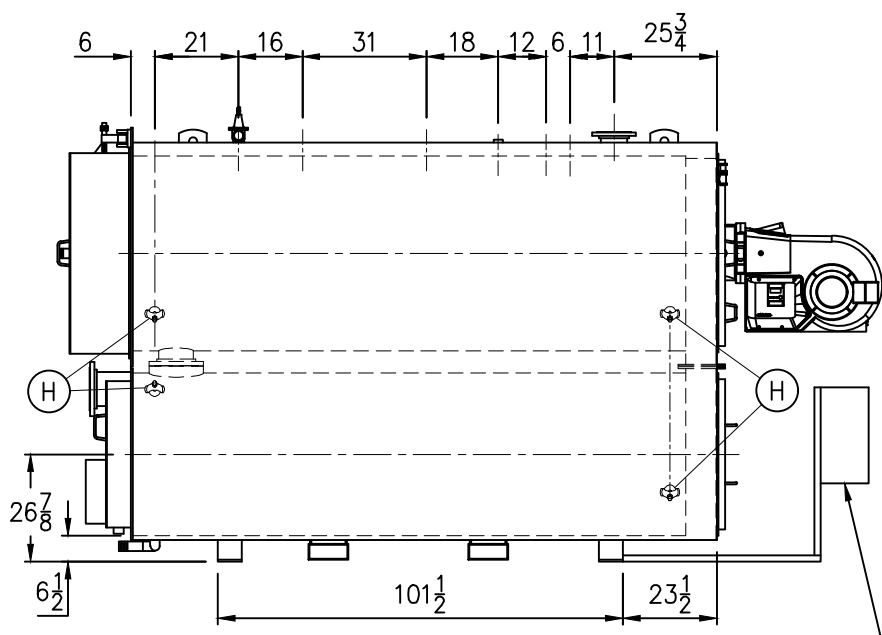
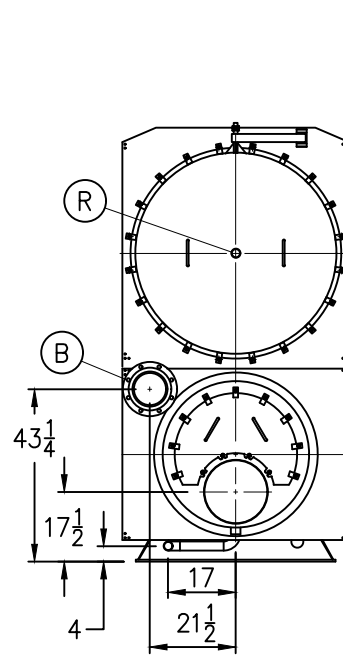


BOILER CONNECTIONS	
A.(1) WATER OUTLET	8" 150# FLANGE
B.(1) WATER RETURN	8" 150# FLANGE
C.(1) LWCO	1" NPT
D.(1) SAFETY VALVE	2" NPT
E.() SAFETY VALVE	
F.(1) BOILER DRAIN	2" NPT
G.(1) WASHOUT	2" NPT
H.(8) HANDHOLE	3" x 4"
J.(1) CONDENSATE DRAIN	1 1/2" NPT
K.(1) RISER/DOWNCOMER	8" 150# FLANGE
L.(1) AUXILIARY/VENT	2" NPT
M.() LOW FIRE HOLD	
N.(2) AQUASTAT	1/2" NPT
P.(3) AQUASTAT	3/4" NPT
Q.() STACK TEMP	
R.(1) SIGHT PORT	2" NPT
S.(1) STACK	16" ID

RATINGS & CAPACITIES	
RATED INPUT	12000 MBH
GROSS OUTPUT	11400 MBH
DESIGN PRESSURE	160 PSI WATER
DESIGN TEMPERATURE	210 F
HEAT RELEASE (FURNACE ONLY)	164,544 BTU/CuFt
HEAT SURFACE (ASME)	1044 SqFt
FURNACE HEATING SURFACE	100.74 SqFt
FURNACE VOLUME	72.93 CuFt
WATER VOLUME (FULL)	876 GAL
WATER WEIGHT	7,289 LBS
SHIPPING WEIGHT	14,082 LBS



- NOTES
- 1) ALL CONTROLS MOUNTED AS PER SPECIFICATION SHEET.
 - 2) SPECIFICATION SHEET TAKES PRIORITY OVER R & D SHEET.
 - 3) BOILER DESIGN CODE ASME SECTION IV.
 - 4) ALL DIMENSIONS ARE ±1/2" UNLESS OTHERWISE NOTED.
 - 5) REAR DOOR SWING:
 - (1) MIN SIDE, MAX REAR
 - (2) MAX SIDE, MIN REAR
 - 6) TUBE CLEARANCE REQUIRED FROM ONE SIDE ONLY.
 - 7) AERCO RESERVES THE RIGHT TO MODIFY BOILER DIMENSIONS WITHOUT PRIOR NOTICE.

AERCO 100 ORITANI DRIVE BLAUVELT, NY 10913
A WATTS Brand aerco.com

MFC II 12000 MBH
DIMENSIONAL DRAWING

DWN.BY <u>K.S.</u> DATE <u>011626</u>	AP-A-1115	REV. B
SCALE <u>NTS</u>		
REV.BY <u>K.S.</u> DATE <u>052626</u>		