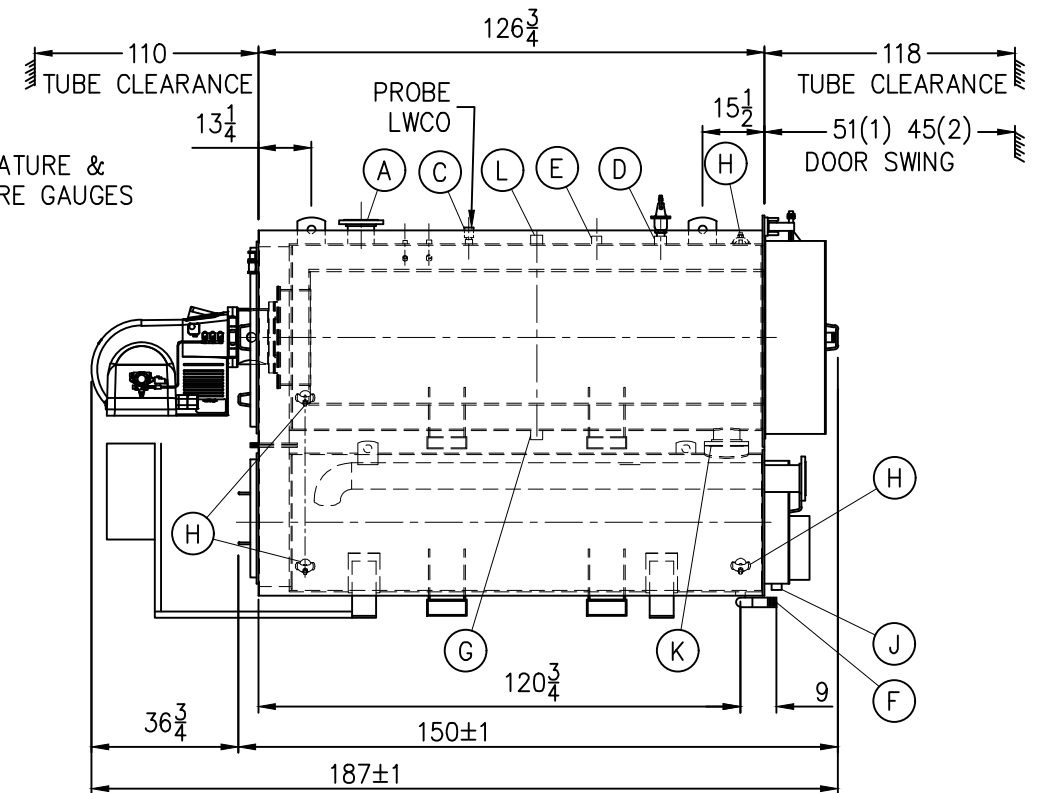
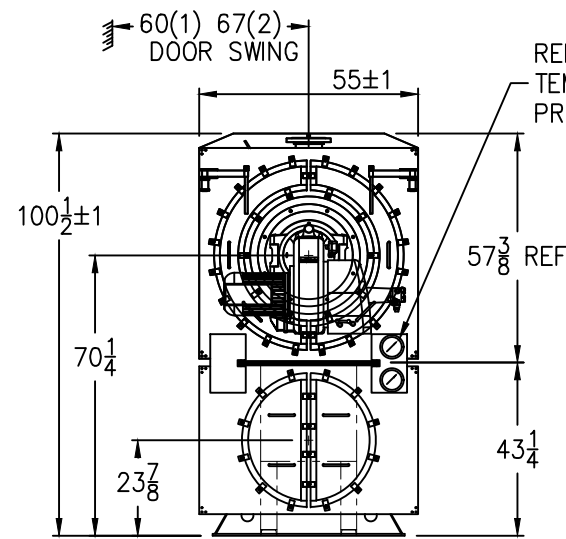
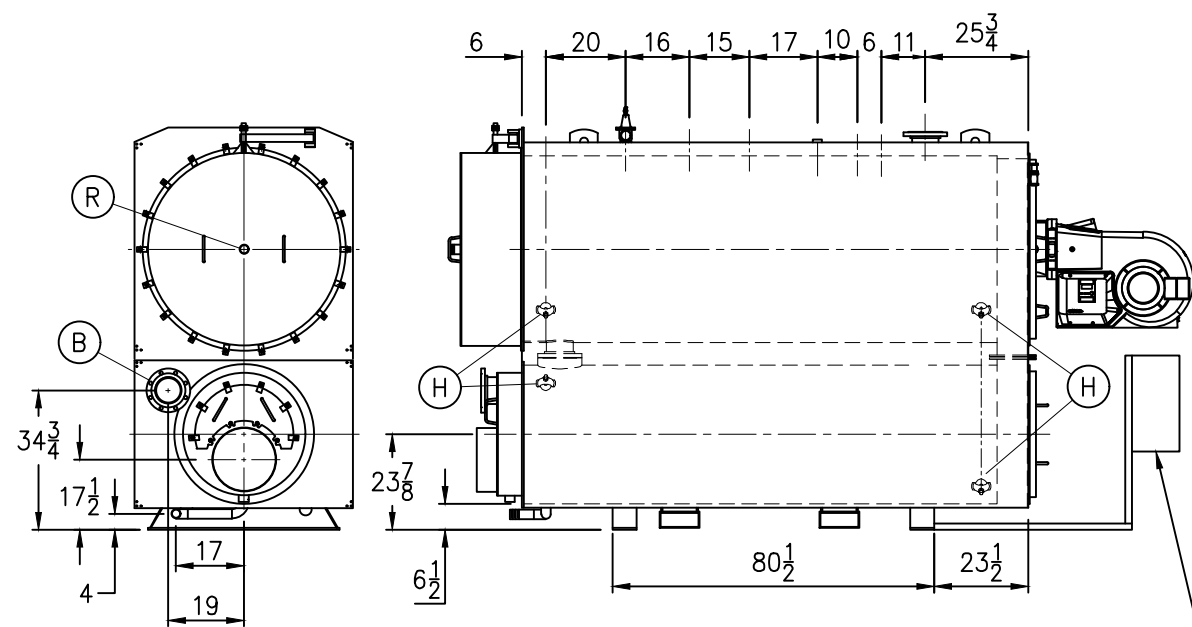


| BOILER CONNECTIONS     |                |
|------------------------|----------------|
| A.(1) WATER OUTLET     | 6" 150# FLANGE |
| B.(1) WATER RETURN     | 6" 150# FLANGE |
| C.(1) LWCO             | 1" NPT         |
| D.(1) SAFETY VALVE     | 2" NPT         |
| E.(1) SAFETY VALVE     | 1 1/2" NPT     |
| F.(1) BOILER DRAIN     | 2" NPT         |
| G.(1) WASHOUT          | 2" NPT         |
| H.(8) HANDHOLE         | 3" x 4"        |
| J.(1) CONDENSATE DRAIN | 1 1/2" NPT     |
| K.(1) RISER/DOWNCOMER  | 6" 150# FLANGE |
| L.(1) AUXILIARY/VENT   | 2" NPT         |
| M.( ) LOW FIRE HOLD    |                |
| N.(2) AQUASTAT         | 1/2" NPT       |
| P.(3) AQUASTAT         | 3/4" NPT       |
| Q.( ) STACK TEMP       |                |
| R.(1) SIGHT PORT       | 2" NPT         |
| S.(1) STACK            | 16" ID         |

| RATINGS & CAPACITIES        |                  |
|-----------------------------|------------------|
| RATED INPUT                 | 8000 MBH         |
| GROSS OUTPUT                | 7600 MBH         |
| DESIGN PRESSURE             | 160 PSI WATER    |
| DESIGN TEMPERATURE          | 210 F            |
| HEAT RELEASE (FURNACE ONLY) | 145,386 BTU/CuFt |
| HEAT SURFACE (ASME)         | 730 SqFt         |
| FURNACE HEATING SURFACE     | 80.65 SqFt       |
| FURNACE VOLUME              | 55.03 CuFt       |
| WATER VOLUME (FULL)         | 608 GAL          |
| WATER WEIGHT                | 5,053 LBS        |
| SHIPPING WEIGHT             | 10,985 LBS       |



NOTES

- 1) ALL CONTROLS MOUNTED AS PER SPECIFICATION SHEET.
- 2) SPECIFICATION SHEET TAKES PRIORITY OVER R & D SHEET.
- 3) BOILER DESIGN CODE ASME SECTION IV.
- 4) ALL DIMENSIONS ARE ±1/2" UNLESS OTHERWISE NOTED.
- 5) REAR DOOR SWING:
  - (1) MIN SIDE, MAX REAR
  - (2) MAX SIDE, MIN REAR
- 6) TUBE CLEARANCE REQUIRED FROM ONE SIDE ONLY.
- 7) AERCO RESERVES THE RIGHT TO MODIFY BOILER DIMENSIONS WITHOUT PRIOR NOTICE.

**AERCO** 100 ORITANI DRIVE BLAUVELT, NY 10913  
 A WAITS Brand aerco.com

MFC II 8000 MBH  
 DIMENSIONAL DRAWING

DWN.BY K.S. DATE 011626  
 SCALE NTS  
 REV.BY K.S. DATE 052626

AP-A-1111

REV.  
 B