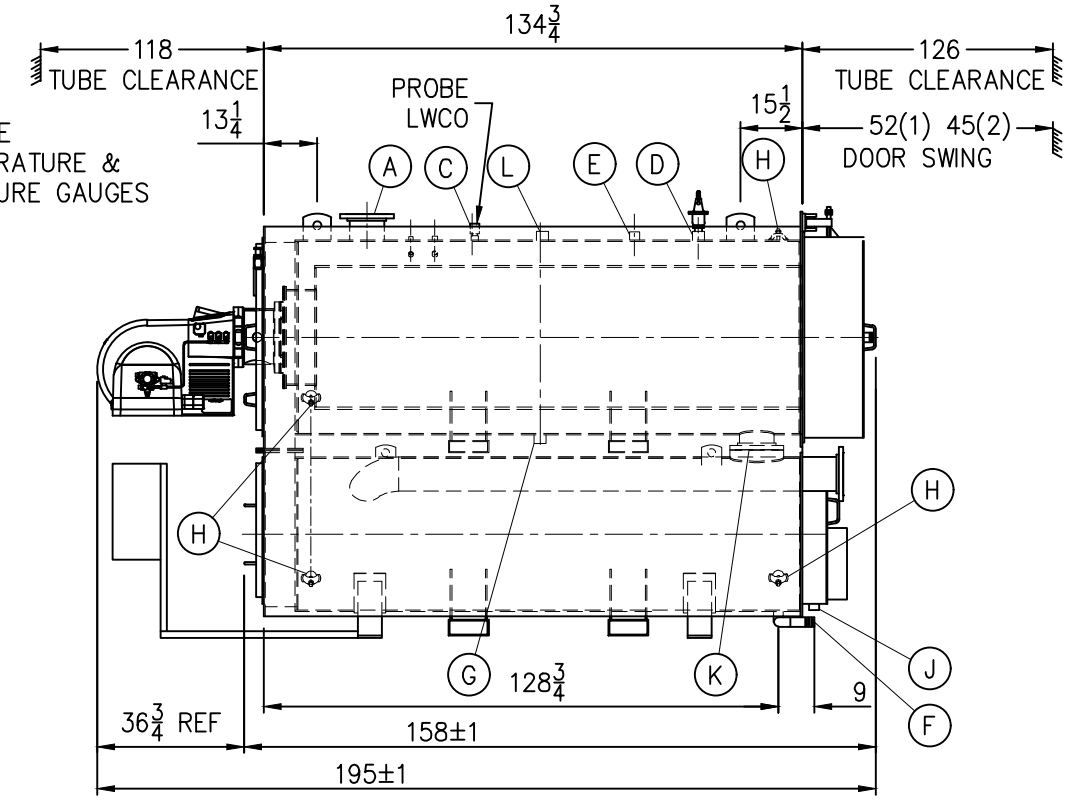
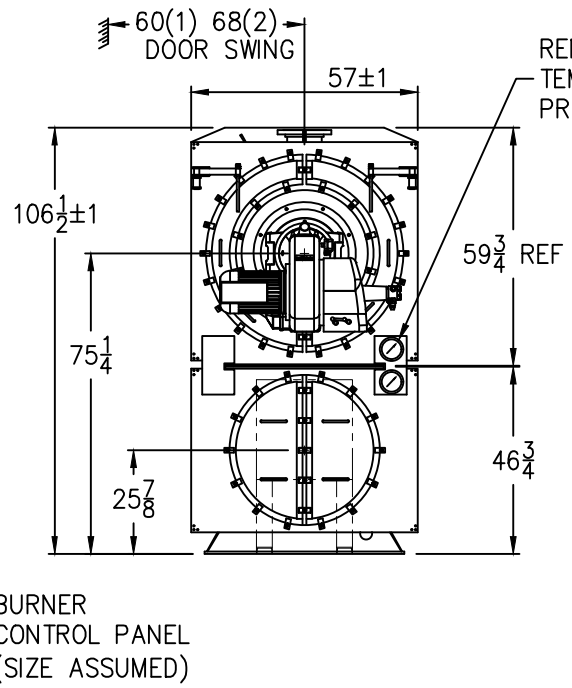
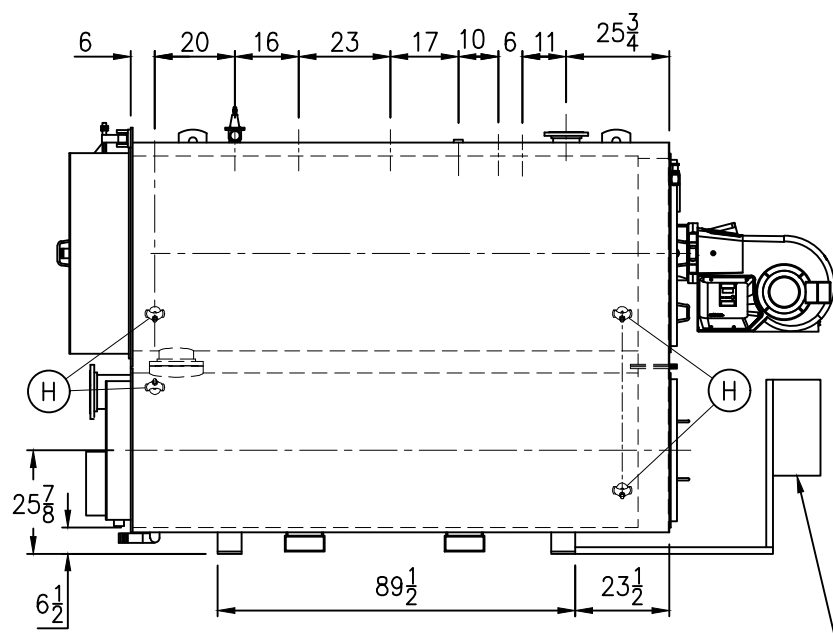
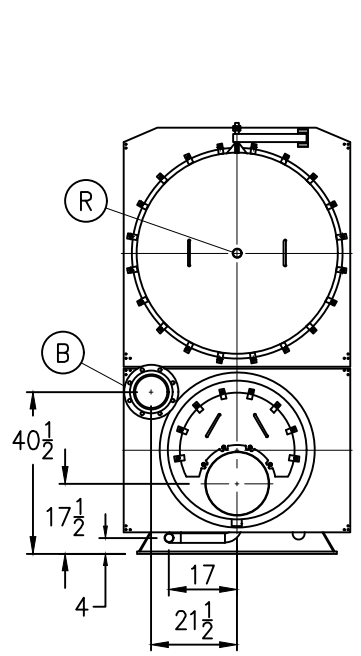


BOILER CONNECTIONS	
A.(1) WATER OUTLET	8" 150# FLANGE
B.(1) WATER RETURN	8" 150# FLANGE
C.(1) LWCO	1" NPT
D.(1) SAFETY VALVE	2" NPT
E.(1) SAFETY VALVE	1 1/2" NPT
F.(1) BOILER DRAIN	2" NPT
G.(1) WASHOUT	2" NPT
H.(8) HANDHOLE	3" x 4"
J.(1) CONDENSATE DRAIN	1 1/2" NPT
K.(1) RISER/DOWNCOMER	8" 150# FLANGE
L.(1) AUXILIARY/VENT	2" NPT
M.( ) LOW FIRE HOLD	
N.(2) AQUASTAT	1/2" NPT
P.(3) AQUASTAT	3/4" NPT
Q.( ) STACK TEMP	
R.(1) SIGHT PORT	2" NPT
S.(1) STACK	16" ID

RATINGS & CAPACITIES	
RATED INPUT	10000 MBH
GROSS OUTPUT	9500 MBH
DESIGN PRESSURE	160 PSI WATER
DESIGN TEMPERATURE	210 F
HEAT RELEASE (FURNACE ONLY)	154,405 BTU/CuFt
HEAT SURFACE (ASME)	878 SqFt
FURNACE HEATING SURFACE	89.46 SqFt
FURNACE VOLUME	64.76 CuFt
WATER VOLUME (FULL)	759 GAL
WATER WEIGHT	6,312 LBS
SHIPPING WEIGHT	12,559 LBS



- NOTES
- 1) ALL CONTROLS MOUNTED AS PER SPECIFICATION SHEET.
  - 2) SPECIFICATION SHEET TAKES PRIORITY OVER R & D SHEET.
  - 3) BOILER DESIGN CODE ASME SECTION IV.
  - 4) ALL DIMENSIONS ARE ±1/2" UNLESS OTHERWISE NOTED.
  - 5) REAR DOOR SWING:
    - (1) MIN SIDE, MAX REAR
    - (2) MAX SIDE, MIN REAR
  - 6) TUBE CLEARANCE REQUIRED FROM ONE SIDE ONLY.
  - 7) AERCO RESERVES THE RIGHT TO MODIFY BOILER DIMENSIONS WITHOUT PRIOR NOTICE.

**AERCO** 100 ORITANI DRIVE BLAUVELT, NY 10913  
A WATTS Brand aerco.com

MFC II 10000 MBH  
DIMENSIONAL DRAWING

DWN. BY K.S. DATE 011626	AP-A-1113	REV. B
SCALE NTS		
REV. BY K.S. DATE 052626		