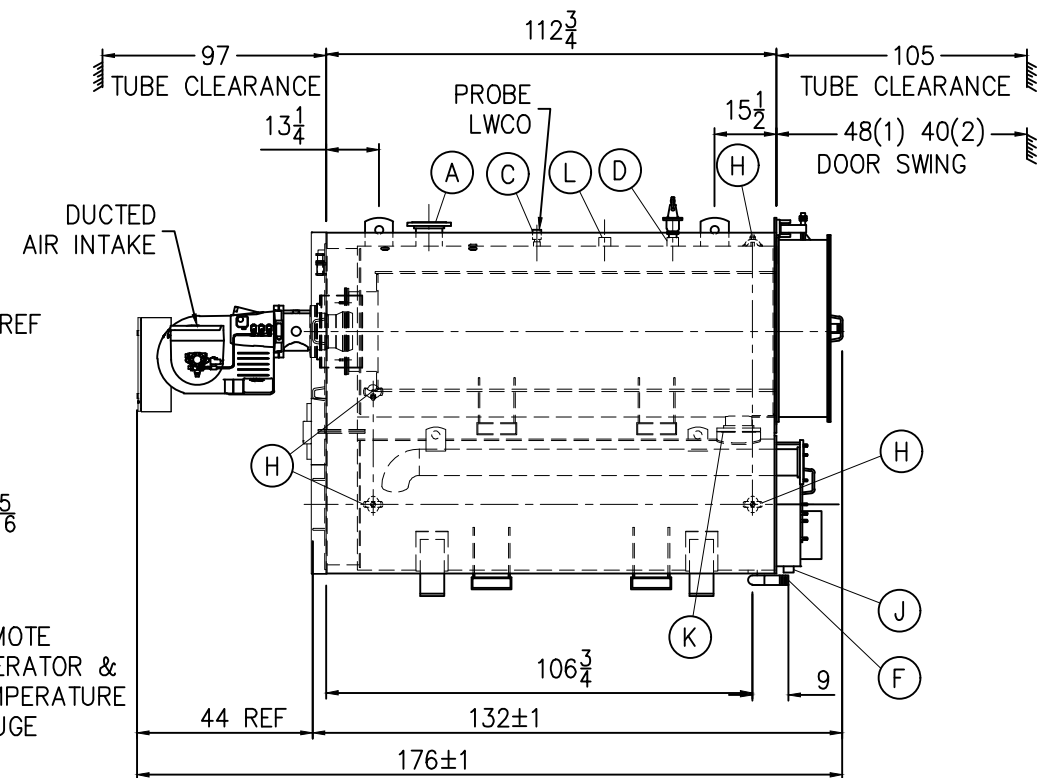
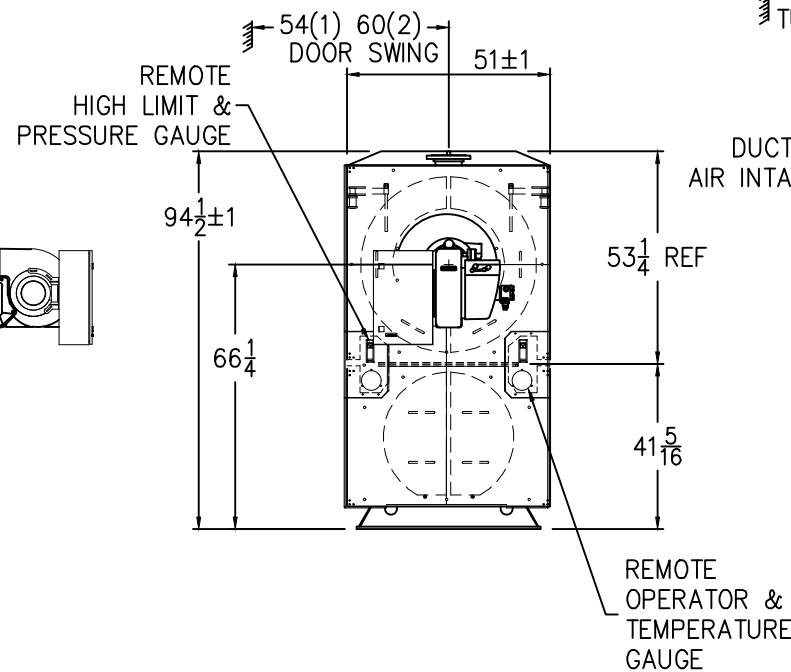
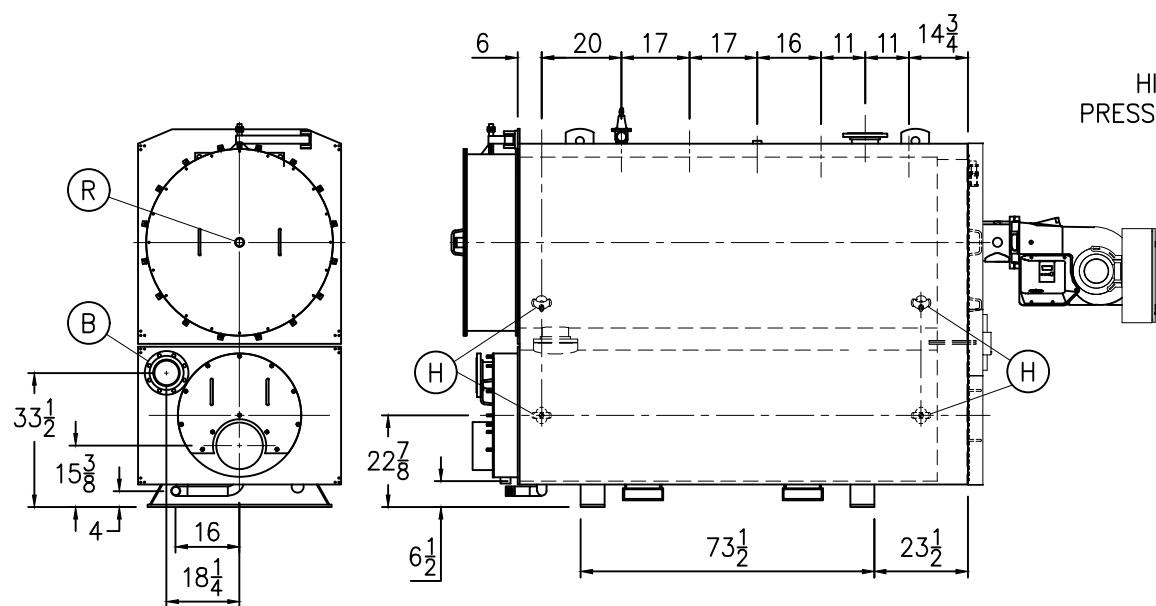


BOILER CONNECTIONS	
A.(1) WATER OUTLET	6" 150# FLANGE
B.(1) WATER RETURN	6" 150# FLANGE
C.(1) LWCO	1" NPT
D.(1) SAFETY VALVE	2" NPT
E.( ) SAFETY VALVE	
F.(1) BOILER DRAIN	2" NPT
G.( ) WASHOUT	
H.(8) HANDHOLE	3" x 4"
J.(1) CONDENSATE DRAIN	1 1/2" NPT
K.(1) RISER/DOWNCOMER	6" 150# FLANGE
L.(1) AUXILIARY/VENT	2" NPT
M.( ) LOW FIRE HOLD	
N.( ) AQUASTAT	
P.(5) AQUASTAT	3/4" NPT
Q.( ) STACK TEMP	
R.(1) SIGHT PORT	2" NPT
S.(1) STACK	12" ID

RATINGS & CAPACITIES	
RATED INPUT	5000 MBH
GROSS OUTPUT	4750 MBH
DESIGN PRESSURE	160 PSI WATER
DESIGN TEMPERATURE	210 F
HEAT RELEASE (FURNACE ONLY)	132,294 BTU/CuFt
HEAT SURFACE (ASME)	566 SqFt
FURNACE HEATING SURFACE	62.02 SqFt
FURNACE VOLUME	37.15 CuFt
WATER VOLUME (FULL)	480 GAL
WATER WEIGHT	3,994 LBS
SHIPPING WEIGHT	8,870 LBS



NOTES

- 1) ALL CONTROLS MOUNTED AS PER SPECIFICATION SHEET.
- 2) SPECIFICATION SHEET TAKES PRIORITY OVER R & D SHEET.
- 3) BOILER DESIGN CODE ASME SECTION IV.
- 4) ALL DIMENSIONS ARE ±1/2" UNLESS OTHERWISE NOTED.
- 5) REAR DOOR SWING:
  - (1) MIN SIDE, MAX REAR
  - (2) MAX SIDE, MIN REAR
- 6) TUBE CLEARANCE REQUIRED FROM ONE SIDE ONLY.
- 7) AERCO RESERVES THE RIGHT TO MODIFY BOILER DIMENSIONS WITHOUT PRIOR NOTICE.

**AERCO** 100 ORITANI DRIVE BLAUVELT, NY 10913  
A WATTS Brand aerco.com

MFC II 5000 MBH  
DIMENSIONAL DRAWING

DWN.BY <u>K.S.</u> DATE <u>011626</u>	AP-A-1108	REV. B
SCALE <u>NTS</u>		
REV.BY <u>K.S.</u> DATE <u>052626</u>		