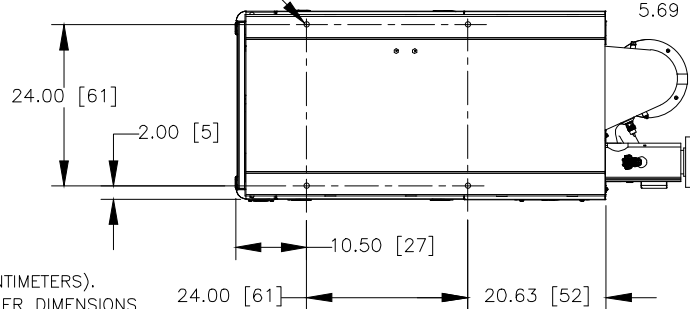
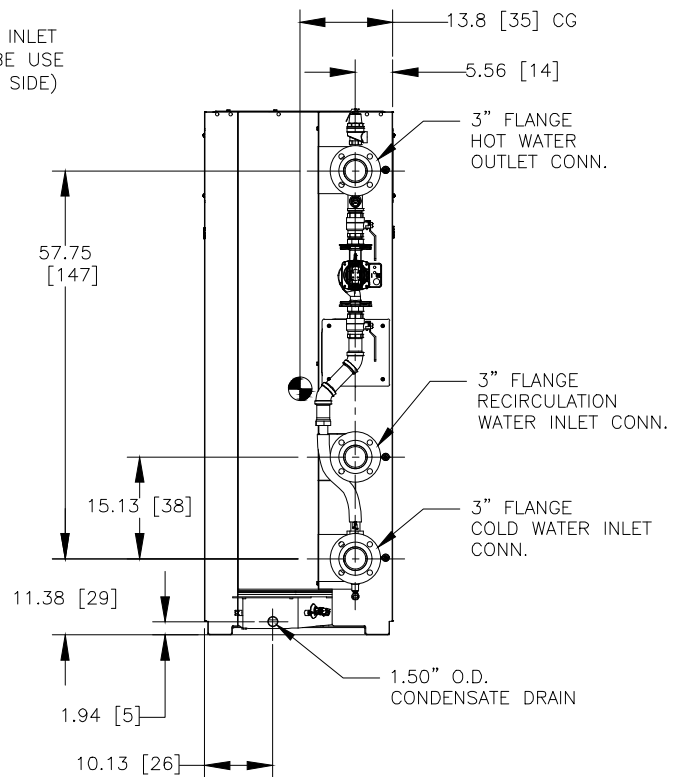
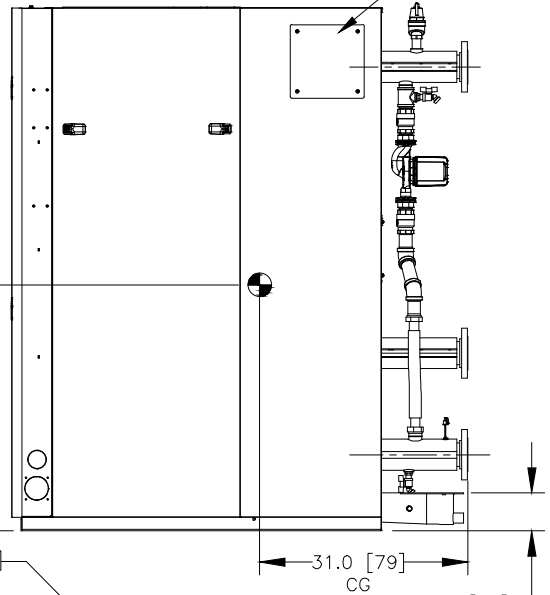
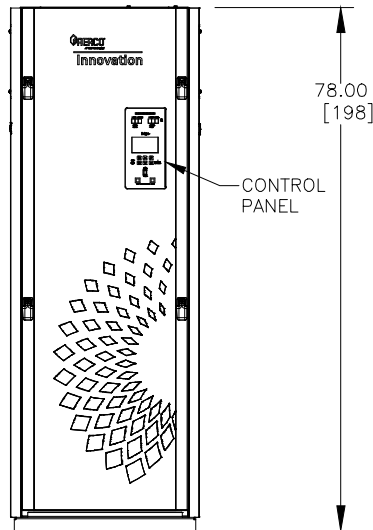


HEAT EXCHANGER DESIGN STANDARDS			
	MAX. WORKING PRESS. (PSIG)	MAXIMUM TEMP. (°F)	TEST PRESS. (PSIG)
SHELL SIDE	160	210	240

ASME B & PV CODE: SECTION IV STAMP HLW



NOTES:

- 1) ALL DIMENSIONS SHOWN ARE IN INCHES (CENTIMETERS).
- 2) AERCO RESERVES THE RIGHT TO MODIFY BOILER DIMENSIONS WITHOUT PRIOR NOTICE.

AERCO 100 ORTANI DRIVE BLAUVELT, NY 10913
A WATTS Brand aerco.com

INNOVATION 1600/2000 MBH
GAS FIRED WATER HEATER
DIMENSIONAL DRAWING

DWN.BY K.S. DATE 022825
SCALE NTS
REV.BY _____ DATE _____

AP-A-1101
REV. A