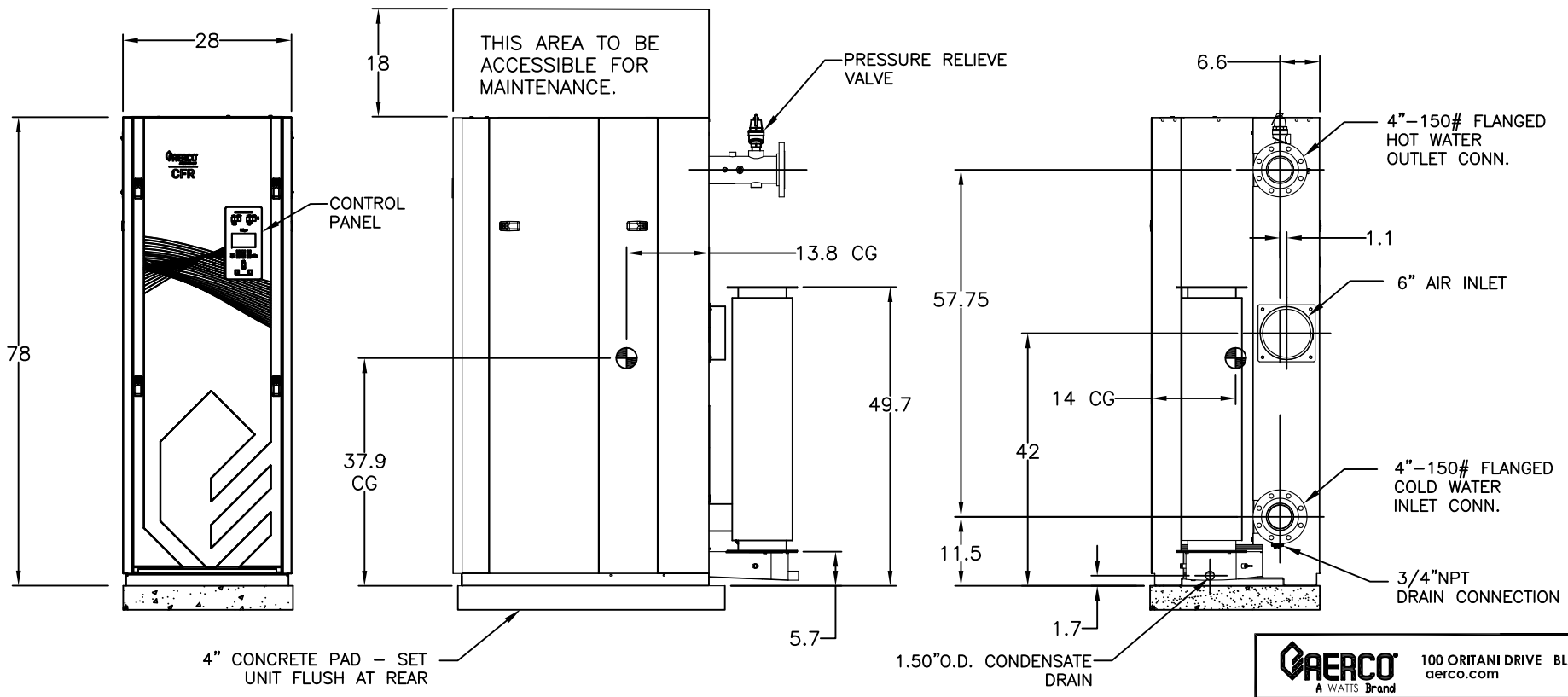
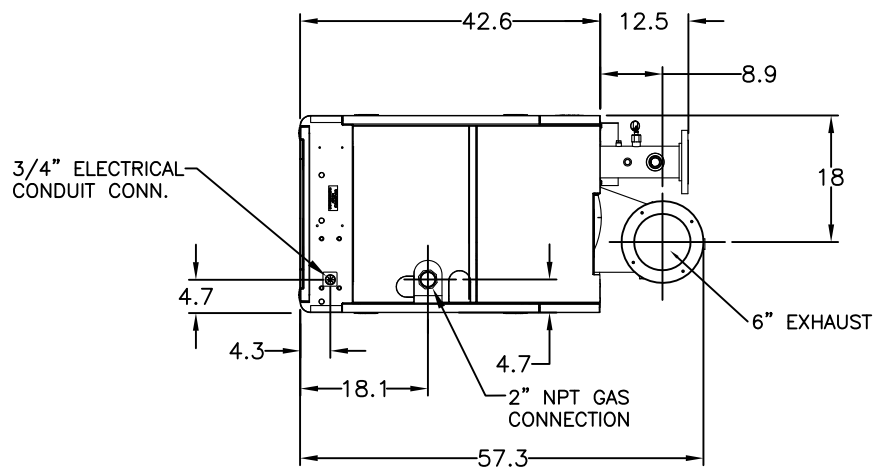


HEAT EXCHANGERS & COMBUSTION CHAMBER DESIGN STANDARDS

MAX. WORKING PRESS. (PSIG)	MAXIMUM TEMP. (°F)	TEST PRESS. (PSIG)	HT'G SURFACE SQ.FT.	MIN. RELIEF VA. CAPACITY MBH
160	210	240	90	1500

ASME B & PV CODE: SECTION IV STAMP H



NOTES:

- 1) RELIEF VALVE, TRIDICATOR & CONDENSATE TRAP ARE INCLUDED SEPARATELY IN SHIPMENT.
- 2) AERCO RESERVES THE RIGHT TO MODIFY BOILER DIMENSIONS WITHOUT PRIOR NOTICE.

AERCO
A WATTS Brand

100 ORITANI DRIVE BLAUVELT, NY 10913
aerco.com

CFR 1500 MBH BOILER
DIMENSIONAL DRAWINGS

DWN. BY <u>K.S.</u> DATE <u>052223</u>	REV.
SCALE <u>NTS</u> SIZE <u>A</u>	AP-A-1092 A
CHKD. _____ APPD. _____	
REV. DATE _____	