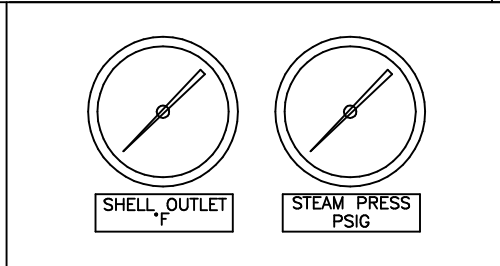
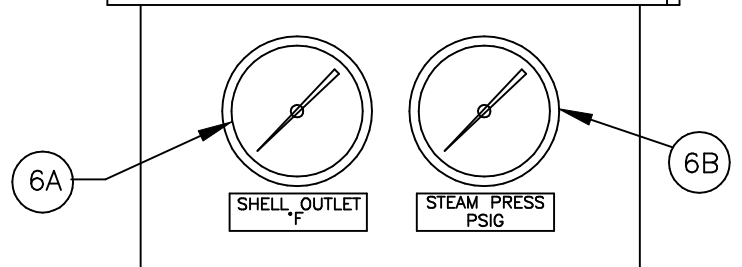
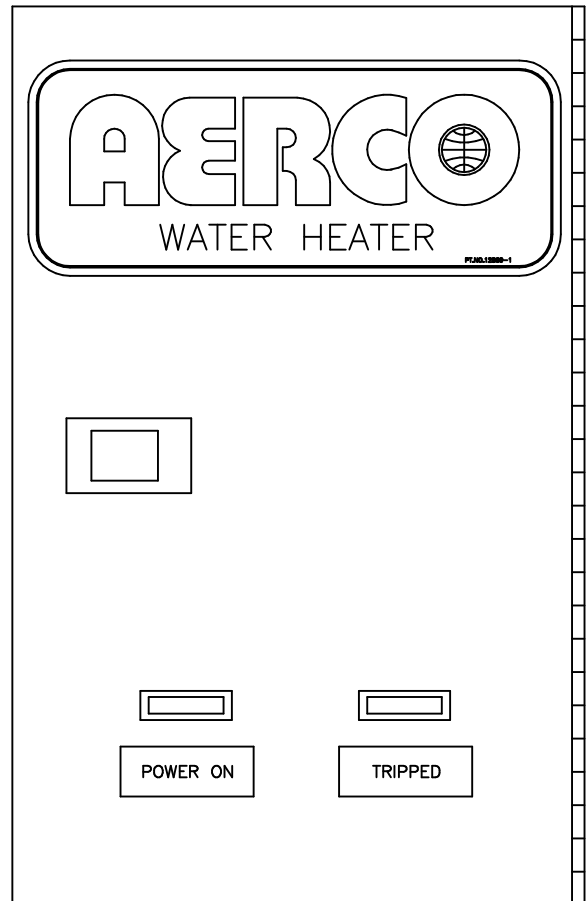
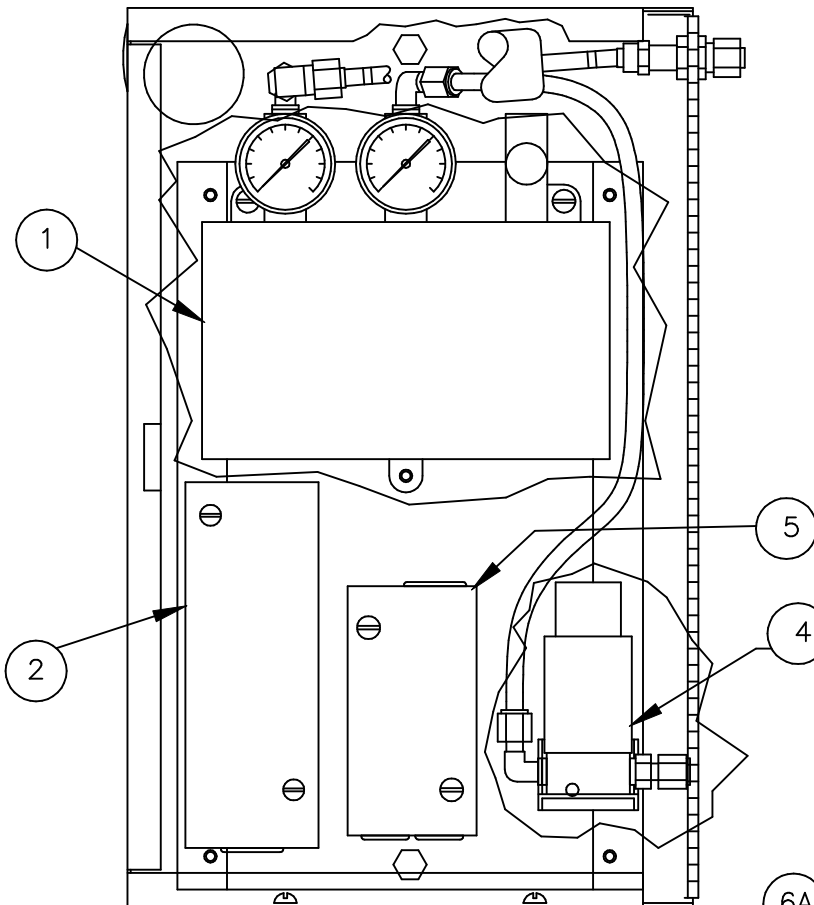
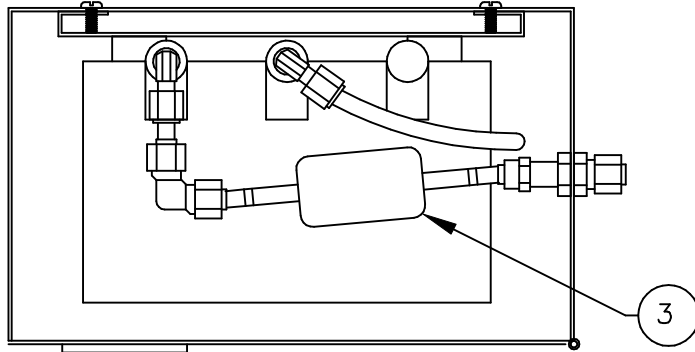


LEGEND

*1	TEMPERATURE CONTROLLER
2	AQUASTAT
*3	AIR FILTER
*4	AIR SOLENOID VALVE
5	JUNCTION BOX
6A	THERMOMETER
6B	PRESSURE GAUGE

* INCLUDED WITH PNEUMATIC VALVE ONLY.



AERCO INTERNATIONAL, INC.
NORTHVALE, NJ 07647

CONTROL BOX
FOR B+/SW1B+/SW1A+/SWDW
STEAM TO WATER PACKAGED HEATERS

DWN.BY SCD DATE 043099
SCALE NTS
APPD. XXX DATE XXXXXX

SD-A-490

REV.
B