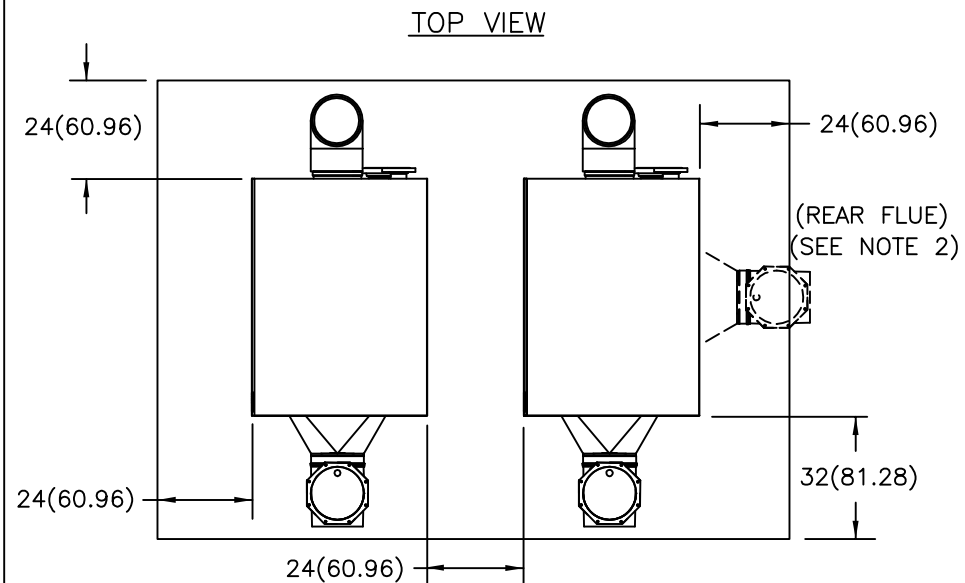


DIAGONAL (45° DEG) ARRANGEMENT OF UNITS



- NOTES:
- ALL DIMENSIONS SHOWN ARE IN INCHES (CENTIMETERS)
 - STANDARD CONNECTIONS:
 - WATER AND AIR INTAKE COMPONENTS/CONNECTIONS ARE ON THE LEFT HAND SIDE ONLY.
 - VENT FLUE ON THE RIGHT HAND SIDE. FOR ALTERNATE LOCATIONS AS SHOWN WITH DOT LINES, USE 32"(81.28) FOR VENT FLUE AT ANY SIDE AS NEEDED AND 24"(60.96) ALL OTHERS.
 - WHEN USING THE AERCO CONDENSATE NEUTRALIZER TANK, FOR PROPER CONDENSATE DRAINAGE, THE NEUTRALIZER TANK MUST BE INSTALLED IN A PIT OR THE BOILER AND THE AERCO CONDENSATE TRAP MUST BE ELEVATED HIGHER THAN 4" ABOVE THE FLOOR. SEE CONDENSATE TANK INSTRUCTIONS TID-0074 FOR DETAILS.
 - TYPICAL SEALED COMBUSTION INSTALLATION SHOWN.
 - INTAKE CONNECTION SIZES:
 - DIM. "A" IS 19.0" APPROX. FOR MODELS 1500, 1530 & 1912, USING 10" PIPING WITH TYPICAL 10" PVC ELBOW IS 17.06".
 - DIM. "A" IS 21.75" APPROX. FOR MODELS 2295-3060/2300-3000, USING 12" PIPING WITH TYPICAL 12" PVC ELBOW IS 19.75".

		100 CRITANI DRIVE BLAUVELT, NY 10913 aerco.com
MODULEX EXT 1500-3000/1530-3060 MBH GAS FIRED BOILER FOR SEALED COMBUSTION INSTALLATION CLEARANCES		
DWN. BY <u>K.S.</u> DATE <u>080813</u> SCALE <u>NTS</u> REV. DATE <u>K.S. 020717</u>	SD-A-984	REV. B