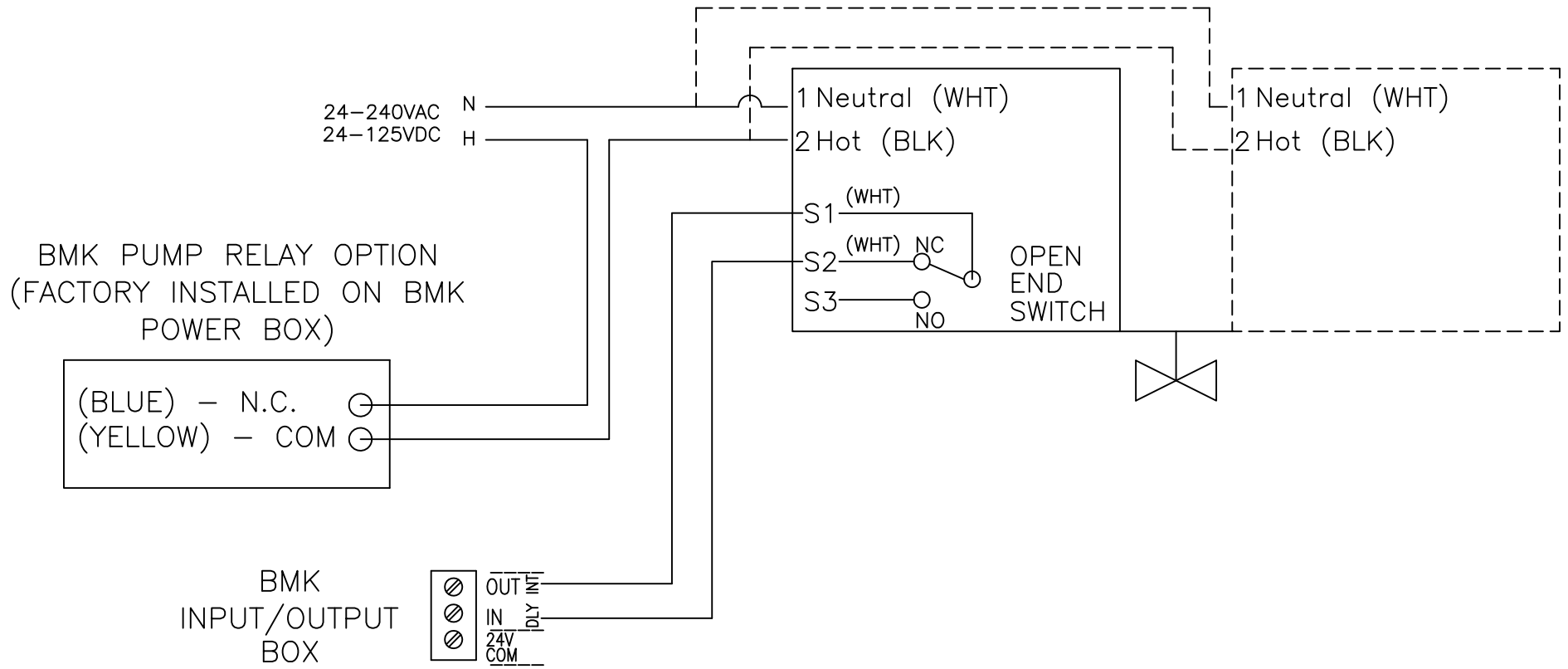


ACTUATOR #1 (SEE NOTE 1)

ACTUATOR #2 (SEE NOTES 1, 2)



NOTES:

1. MOTORIZED CONTROL VALVE (BELIMO ACTUATOR AFBUP-S Powered Close, Spring Return Open) INCLUDES AN OPEN END SWITCH.
2. REFER TO DOTTED LINES: FOR BELIMO VALVES WITH TWO AFBUP-S ACTUATORS, THE SECOND ACTUATOR MUST BE CONNECTED IN PARALLEL TO ACTUATOR #1. POWER CONSUMPTION AND INPUT IMPEDANCE MUST BE OBSERVED.
3. MOTORIZED CONTROL VALVE ELECTRICAL REQUIREMENTS: 24-240VAC -20%/+10%, 50/60HZ; 24-125VDC±10%
4. USE 16 AWG FOR ALL WIRING.
5. OPEN END SWITCH MUST CLOSE WHEN VALVE OPENS. THIS WILL CLOSE THE DELAYED INTERLOCK IN THE I/O BOX AND ALLOW THE BOILER TO FIRE.
6. OPEN END SWITCH MUST OPEN WHEN VALVE CLOSES. THIS WILL OPEN THE DELAYED INTERLOCK AND PROHIBIT THE BOILER FROM FIRING.
7. BELIMO AF ACTUATOR SPRINGS OPEN IN 20 SECONDS. THE AUX START ON DELAY PARAMETER IN THE C-MORE MUST BE PROGRAMMED FOR A MINIMUM OF 30 SECONDS. THE DELAYED INTERLOCK MUST BE CLOSED BEFORE THIS TIME LAPSES, OTHERWISE, THE BOILER WILL LOCKOUT AND GO TO A FAULT.
8. THE PUMP DELAY TIMER IN THE C-MORE MUST BE PROGRAMMED (RECOMMENDED: 2 MINUTES MINIMUM). THIS KEEPS THE VALVE OPEN TO DISSIPATE HEAT UNTIL THE PROGRAMMED TIME LAPSES.

AERCO INTERNATIONAL, INC. BLAUVELT, NY 10913		
MOTORIZED SPRING RETURN CONTROL VALVE (BELIMO AFB ACTUATOR) WIRING DIAGRAM - BMK PUMP RELAY OPTION		
DWN. BY <u>CZ</u> DATE <u>021612</u>	SD-A-904	REV. _____
SCALE <u>NTS</u>		A
APPD. _____ DATE _____		