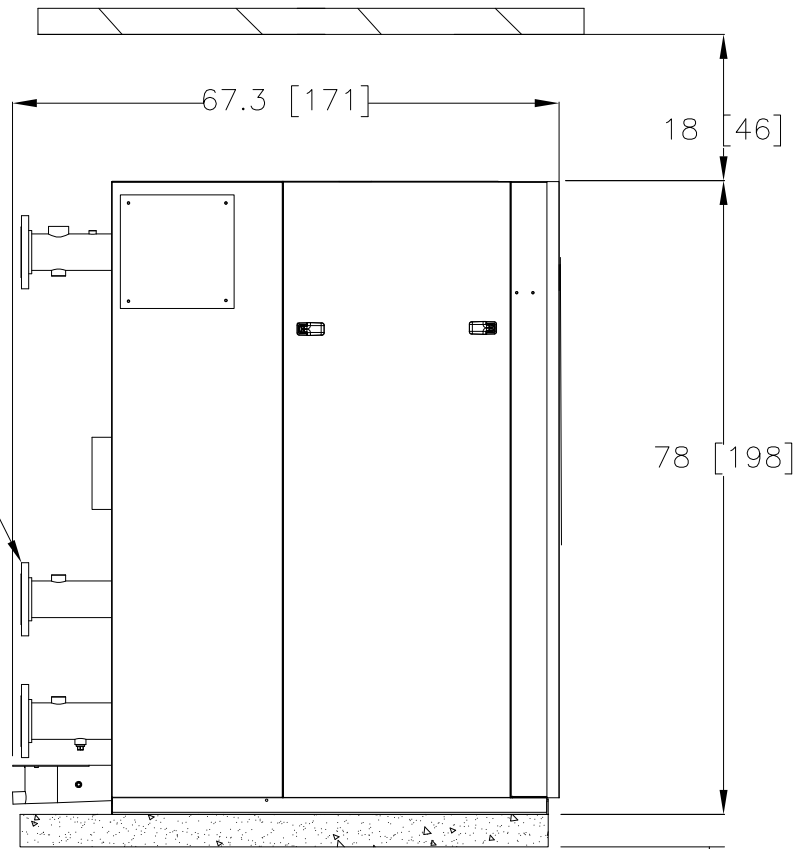


SIDE VIEW



SEE
NOTE 3

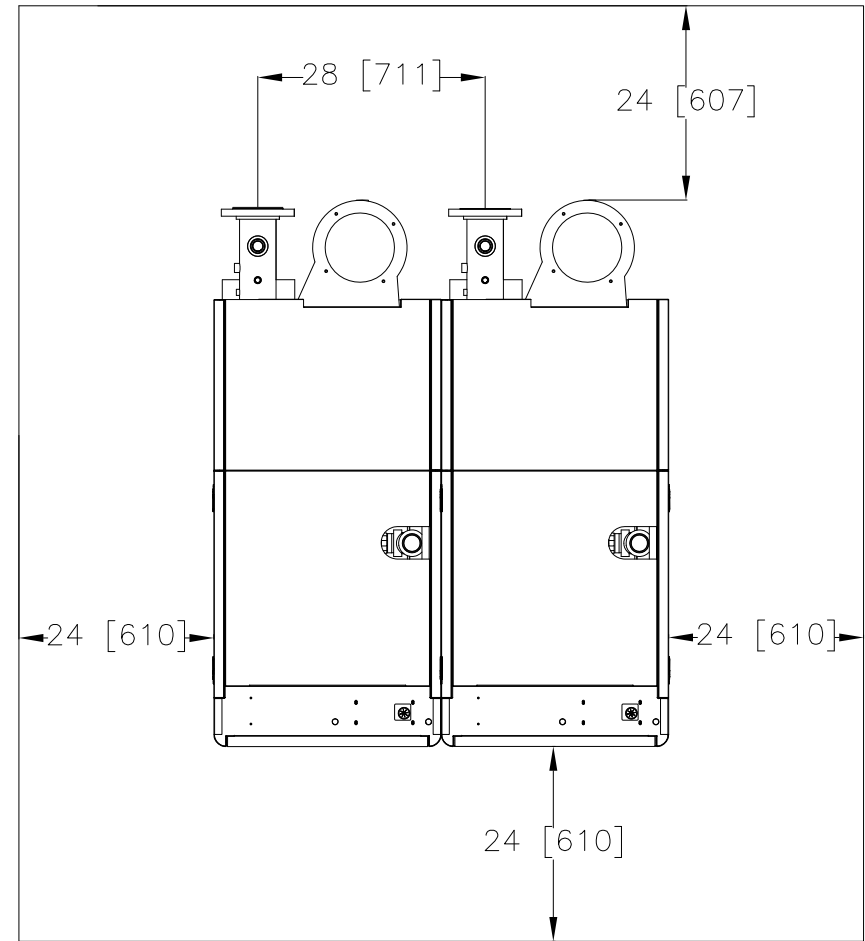
INSTALLATION CLEARANCES:

- 1) THIS APPLIANCE MAY BE INSTALLED ON COMBUSTIBLE FLOORING
- 2) MINIMUM CLEARANCES TO ADJACENT CONSTRUCTION ARE AS FOLLOWS:
 LEFT & RIGHT SIDES: 24"
 FRONT: 24"
 REAR: 24"
 CEILING HIEGHT: 100"
- 3) DOOR PANEL REMOVAL NOT REQUIRED FOR ZERO SIDE CLEARANCE.

NOTE:


1. ALL DIMENSIONS SHOWN ARE IN INCHES (CENTIMETERS).
2. WHEN USING THE AERCO CONDENSATE NEUTRALIZER TANK, FOR PROPER CONDENSATE DRAINAGE, THE NEUTRALIZER TANK MUST BE INSTALLED IN A PIT OR THE BOILER AND THE AERCO CONDENSATE TRAP MUST BE ELEVATED 4" OR HIGHER ABOVE THE FLOOR. SEE CONDENSATE TANK INSTRUCTIONS TID-0074 FOR DETAILS.
3. SECONDARY INLET IS OPTIONAL. FEATURE CAN BE SELECTED WHEN CONFIGURING A BOILER ORDER.
4. CLEARANCE DIMENSIONS ARE MINIMUMS RECOMMENDED BY AERCO. LOCAL CODES AND AUTHORITIES SHOULD BE CONSULTED.

REAR



FRONT

4 [10] HIGH PAD
(SEE NOTE 2)

| | | | |
|---|--|---|--|
|  | | 100 ORITANI DRIVE BLAUVELT, NY 10913 aerco.com | |
| BENCHMARK® 2500 & 3000 MBH GAS FIRED BOILER ZERO SIDE CLEARANCE DRAWING | | | |
| DWN. BY <u> </u> PDR DATE 021512 | | REV | |
| SCALE <u> </u> | | SD-A-898 | |
| REV. BY <u> </u> K.S. DATE 062123 | | | |