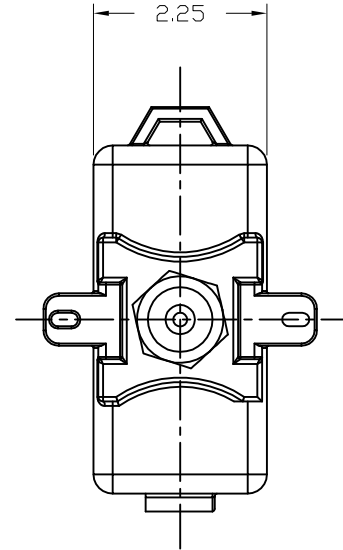
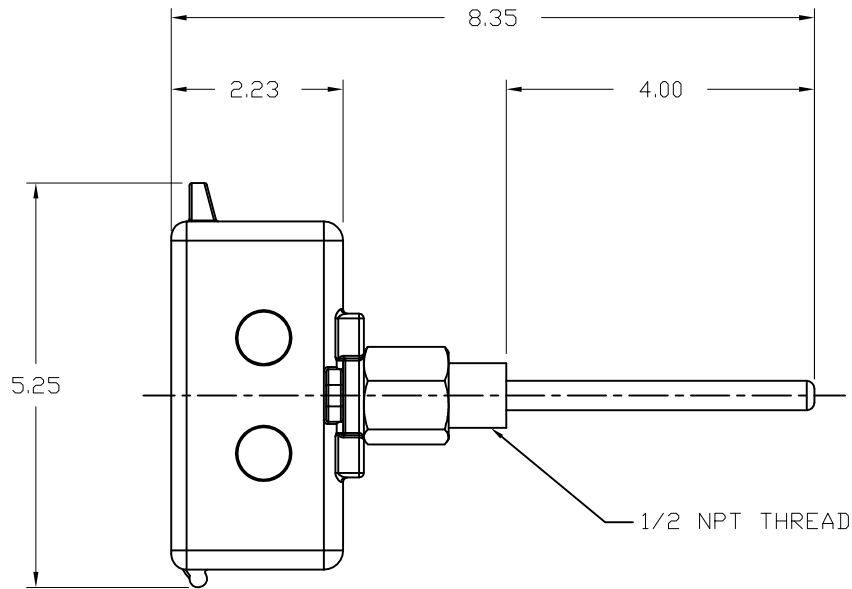
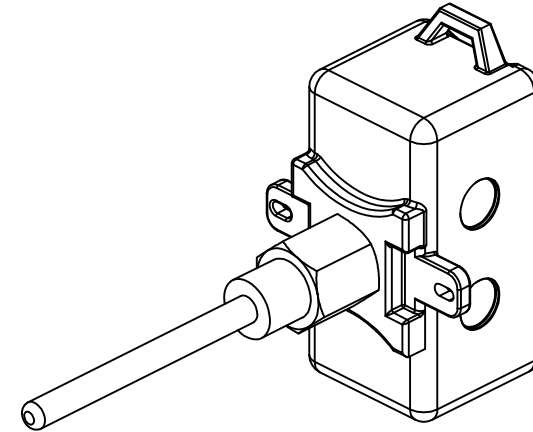


NOTES:

MADE BY: ACI
 PART NUMBER: A/BALCO-1-4"-PB
 SPECIFICATION:

SENSOR OUTPUT	1000 Ohms @ 70° F
TEMP. COEFFICIENT	2.2 Ohms/deg F
TEMP OPERATING RANGE	-40 TO 240° F
ACCURACY	± 0.1%



COMPONENT	PART NUMBER
KIT: SENSOR/THERMAL WELL/HEAT CONDUCTIVE COMPOUND	61040
SENSOR ONLY	61041
THERMAL WELL ONLY	99209
HEAT CONDUCTIVE COMPOUND	GP-122848

AERCO INTERNATIONAL, INC. <small>Blauvelt, NY 10913</small>	
HEADER TEMPERATURE SENSOR/WELL ASS'Y-ONBOARD BST KIT	
DWN. BY <u>K.S.</u> DATE <u>051314</u> SCALE <u>NTS</u> APPD. _____ DATE _____	SD-A-1017 REV A