

MATERIALS OF CONSTRUCTION

HEAT EXCHANGER: 316 (Ti)

HEAT EXCHANGER DESIGN STANDARDS

MAX. WORKING PRESS. (PSIG): 160

MAXIMUM TEMP. (°F): 210

TEST PRESS. (PSIG): 240

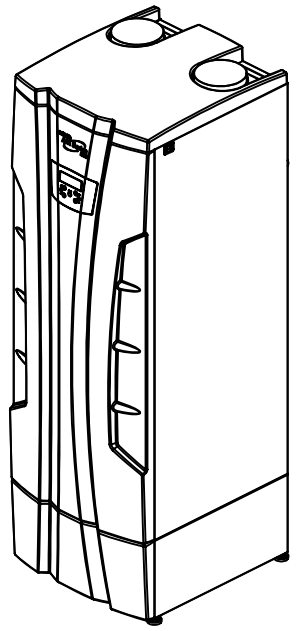
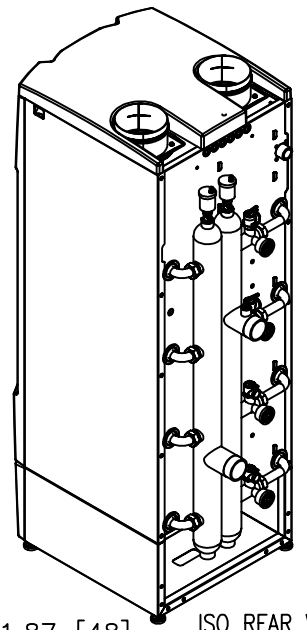
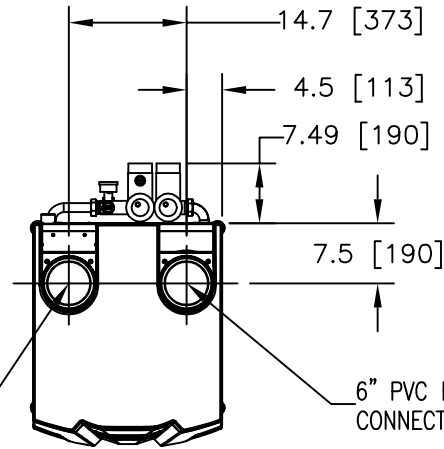
BOILER/WATER HEATER UNITS:

ASME B & PV CODE SECTION IV STAMP H

OPTIONAL:

ASME B & PV CODE SECTION IV STAMP HLW

(ONLY BY REQUEST FOR WATER HEATER UNITS)

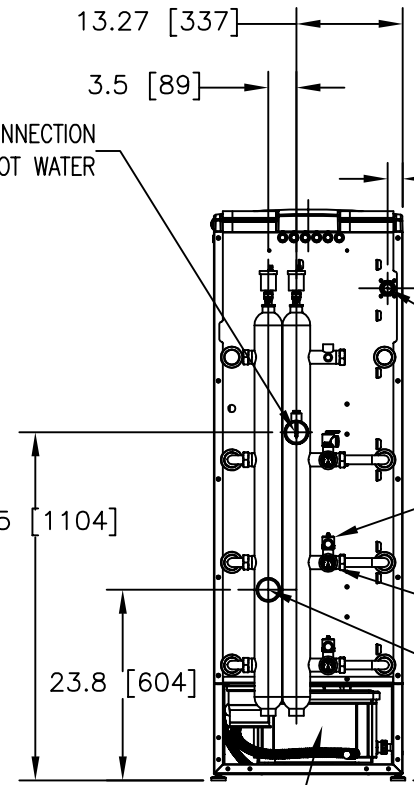
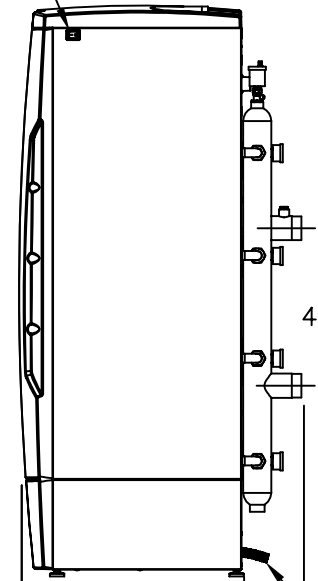
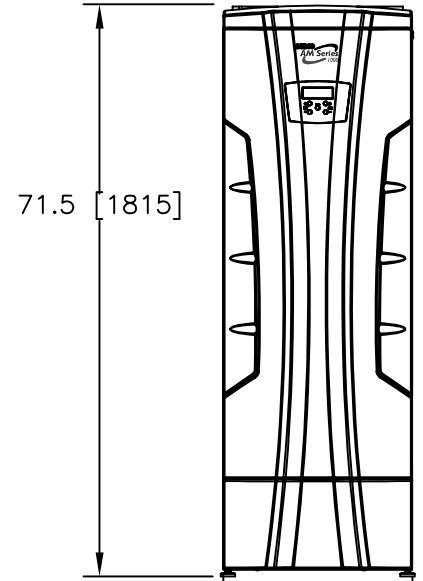


6" PVC AIR INLET CONNECTION

6" PVC FLUE EXHAUST CONNECTION

POWER SWITCH ON/OFF

2-1/2" NPT OUTLET CONNECTION HEATING SUPPLY/HOT WATER



1-1/4" NPT GAS CONNECTION

RELIEF VALVE (SEE NOTE #2)

TRIDICATOR (SEE NOTE #2)

2-1/2" NPT OUTLET CONNECTION HEATING RETURN/COLD WATER

CONDENSATE HOSE

CONDENSATE NEUTRALIZER KIT (STANDARD)

ISO FRONT VIEW

ISO REAR VIEW

NOTES:

- 1) ALL DIMENSIONS SHOWN ARE IN INCHES (MILLIMETERS).
- 2) RELIEF VALVE AND TRIDICATOR ARE INCLUDED ONE SET ON EACH MODULE.

AERCO INTERNATIONAL, INC.
Blauvelt, NY 10913

AM MODELS 750 & 1000
GAS FIRED BOILER/WATER HEATER
DIMENSIONAL DRAWING

DWN.BY: K.S. DATE: 112713	SCALE: _____ SIZE: A	AP-A-943	REV. C
CHKD. _____ APPD. _____	REV. DATE: K.S. 050515		