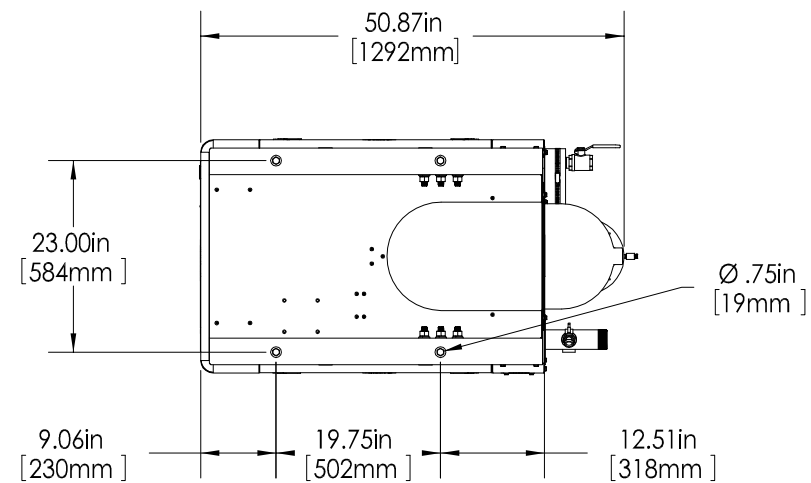
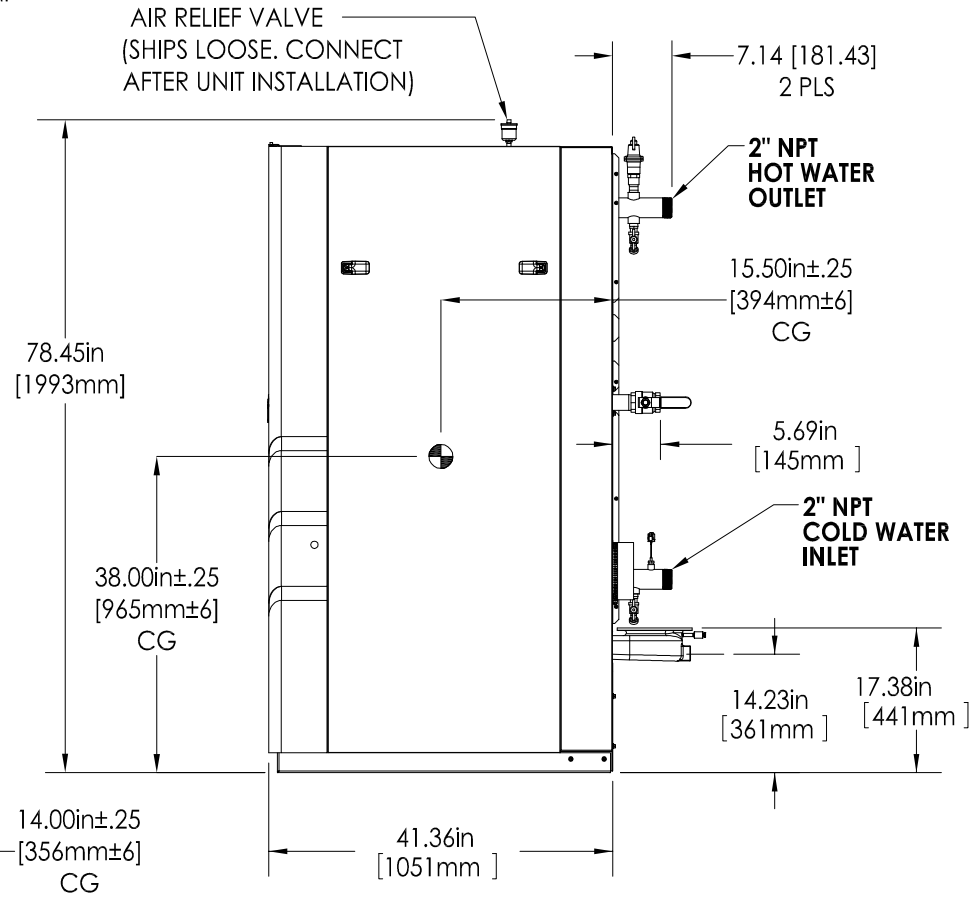
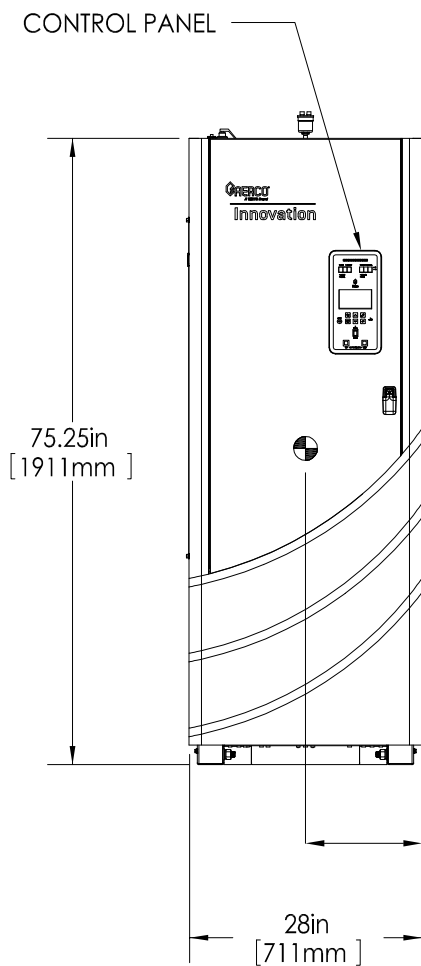


AC SERVICE CONN.  
3/4" CONDUIT  
120 VAC SINGLE PHASE  
20 AMP



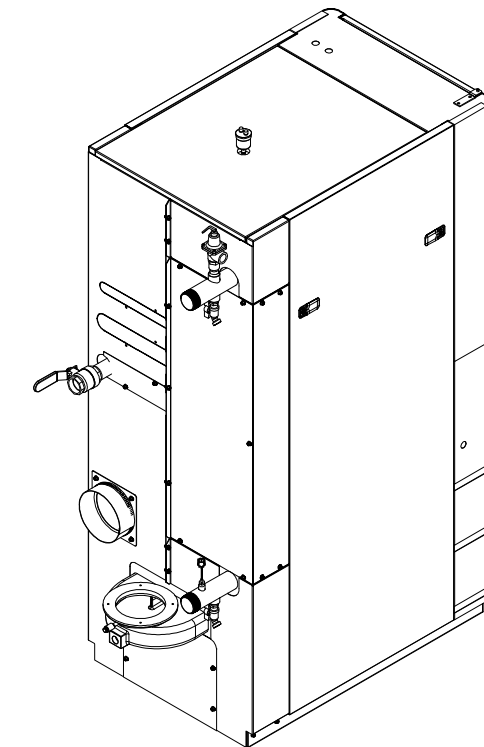
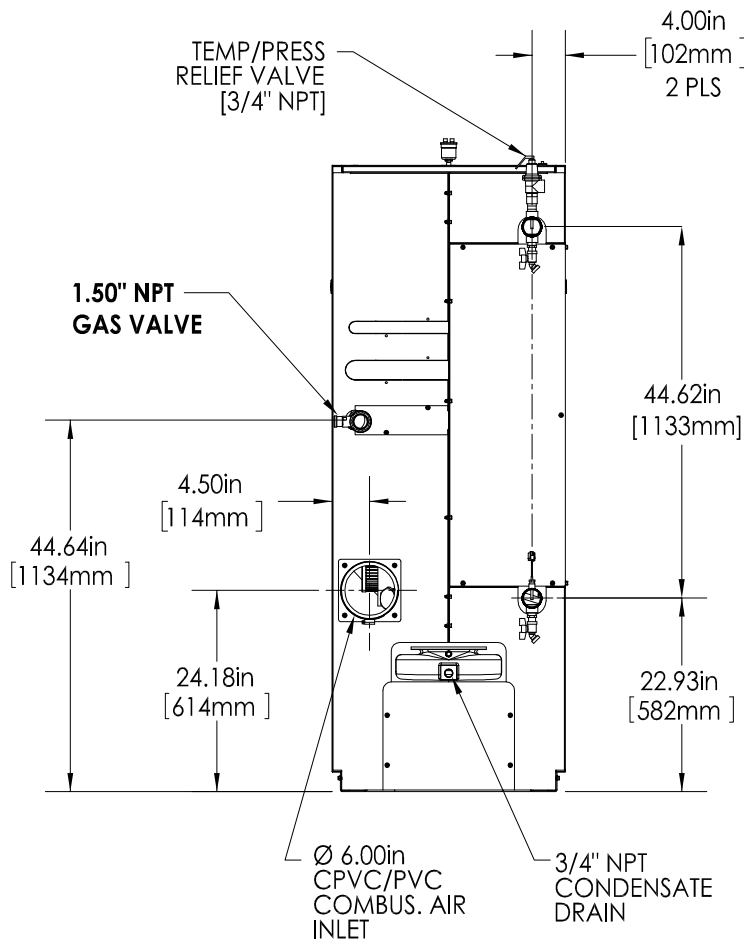
### HEAT EXCHANGER DESIGN STANDARDS

MAX. WORKING PRESS. (PSIG)	MAXIMUM TEMP. (°F)	TEST PRESS. (PSIG)	HT'G SURFACE SQ.FT.
160	210	240	INN600N = 58 INN800N = 58 INN1060N = 67 INN1350N = 86

ASME B & PV CODE SECTION IV STAMP HLW

### MATERIALS OF CONSTRUCTION

DOMED SHELL ASSEMBLY	DUPLEX STAINLESS CONSTRUCTION
COMBUSTION CHAMBER	MATERIALS CONSIST OF COMBINATION OF DUPLEX, AUSTENITIC AND NOBLE METALS, AND AUTOCATALYTIC CHEMICAL REDUCTION PROCESSES.



ALL DIMENSIONS ARE IN INCHES [mm]



100 ORITANI DRIVE | BLAUVELT, NY 10913  
aerco.com

## INNOVATION 600N/800N/1060N/1350N GAS FIRED WATER HEATER DIMENSIONAL OUTLINE

DWN.BY K.S. DATE 08/22/19  
SCALE NTS SIZE B  
CHKD. \_\_\_\_\_ APPD. \_\_\_\_\_  
REV.BY \_\_\_\_\_ DATE \_\_\_\_\_

DWG. NO: **AP-A-1053** REV. **A**