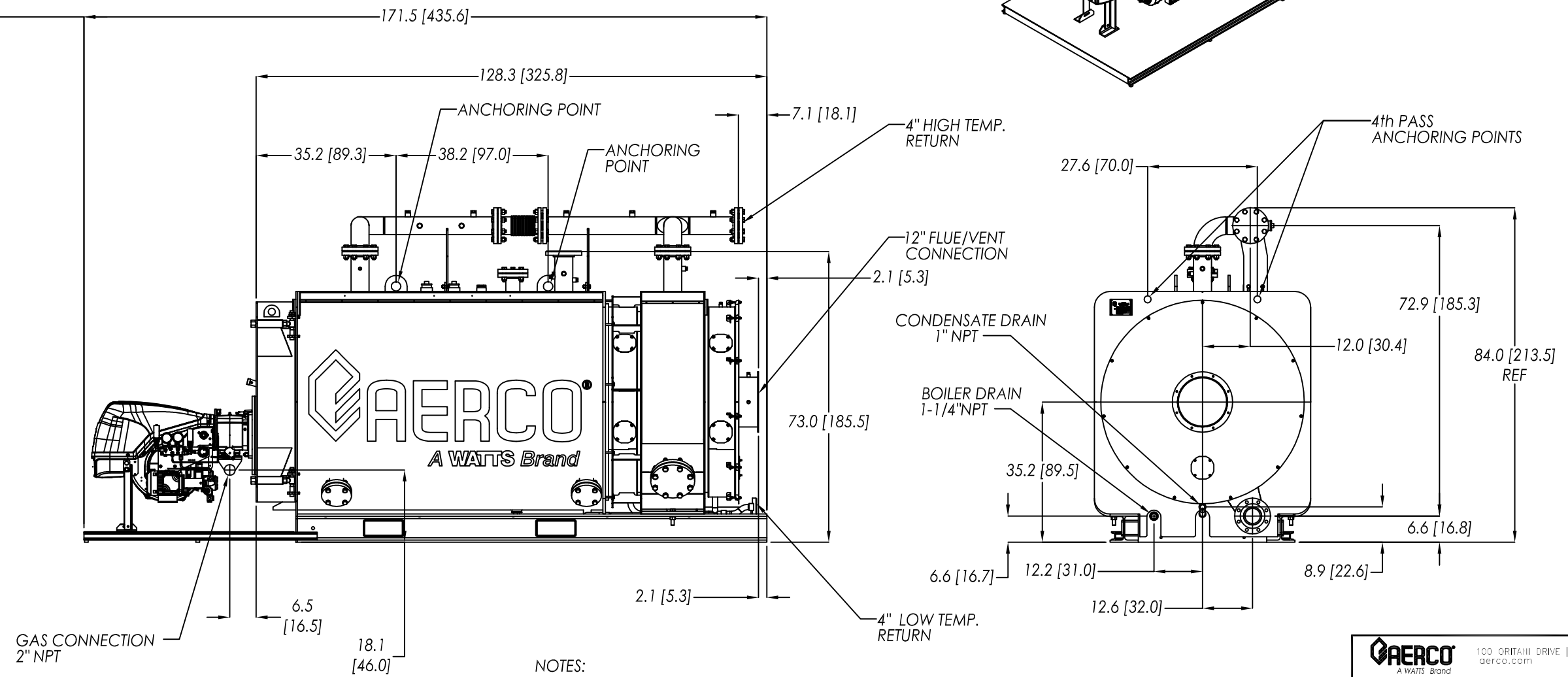
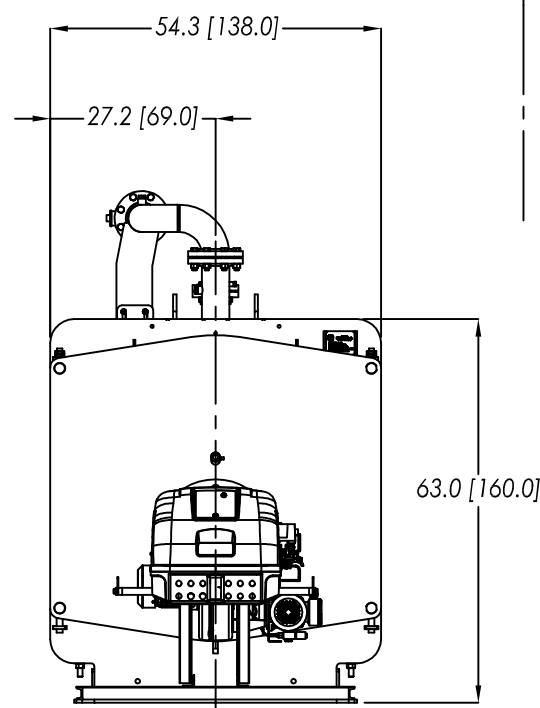


26.7 [67.7]
TUBE PULL
CLEARANCE



NOTES:

- 1) ALL DIMENSIONS SHOWN ARE IN INCHES [CENTIMETERS].
- 2) RELIEF VALVE, TRIDICATOR & CONDENSATE TRAP ARE INCLUDED SEPARATELY IN SHIPMENT.
- 3) AERCO RESERVES THE RIGHT TO MODIFY BOILER DIMENSIONS WITHOUT PRIOR NOTICE.
- 4) FOR ADDITIONAL INFORMATION, PLEASE CONTACT AERCO APPLICATIONS ENGINEERING.

AERCO
A WATTS Brand

100 ORITAIL DRIVE | BLAUVELT, NY 10913
aerco.com

MFC 3000 ASSEMBLY
DIMENSIONAL DRAWING

DWN.BY <u>K.S.</u> DATE <u>061616</u>	AP-A-1040	REV. B
SCALE <u>NTS</u>		
REV.DATE <u>K.S. - 092517</u>		