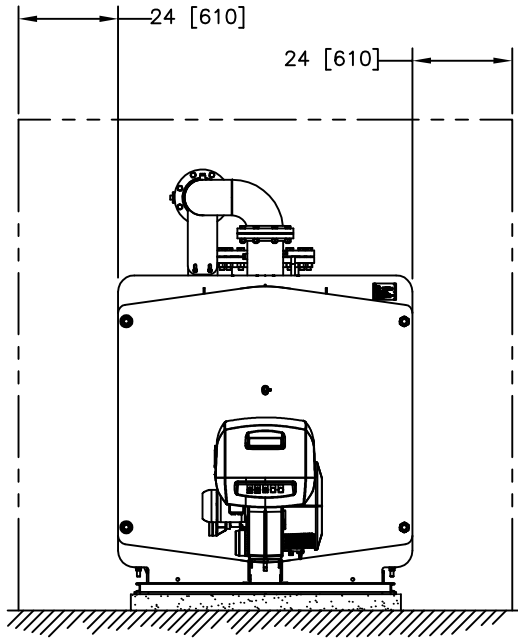
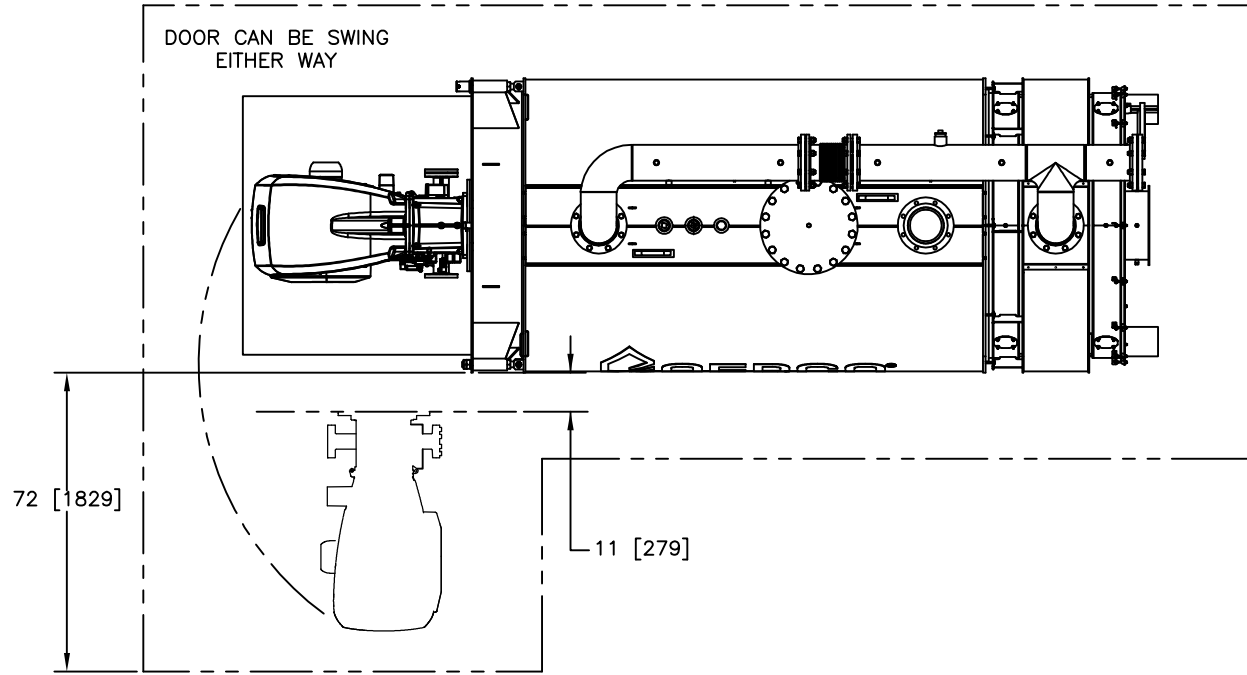


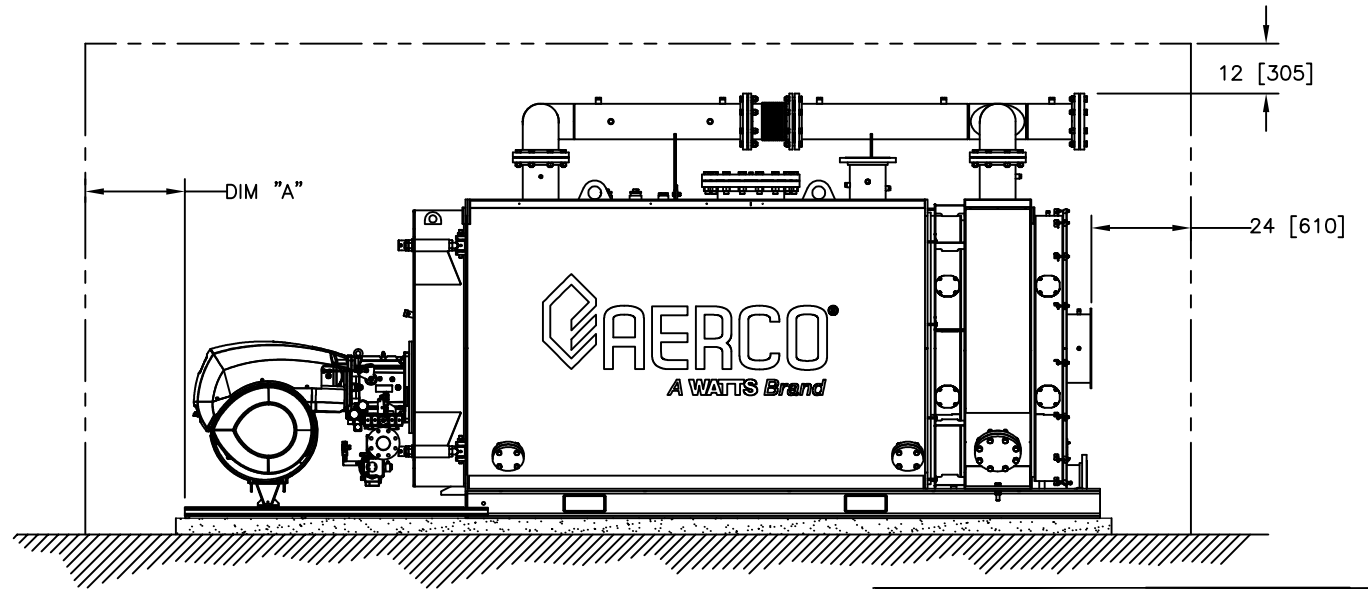
TUBE PULL CLEARANCE

MODEL UNIT	DIM "A"
MFC 3000	26.7 [67.7]
MFC 4000	24.0 [61.0]
MFC 5000	36.0 [91.4]
MFC 6000	37.5 [95.3]
MFC 8000	46.6 [118.4]
MFC 10000	67.2 [170.7]

DOOR CAN BE SWING
EITHER WAY



FRONT VIEW



SIDE VIEW

NOTES:

1) ALL DIMENSIONS SHOWN ARE IN INCHES (MILLIMETERS).

AERCO
A WATTS Brand

100 CRITANI DRIVE | BLAUVELT, NY 10913
aerco.com

MFC SERIES SINGLE UNIT
INSTALLATION CLEARANCE

DWN.BY_K.S. DATE 040715
SCALE _____ SIZE A
CHKD. _____ APPD. _____
REV.DATE K.S. 100417

AP-A-1008

REV.
D