

EXHAUST MANIFOLD			
ITEM	PART NO.	QTY	DESCRIPTION
1	201283	1	EXHAUST MANIFOLD
2	123612	1	EXHAUST MANIFOLD SEAL
3			

GAS TRAIN ASSEMBLY			
ITEM	PART NO.	QTY	DESCRIPTION
(3) 4	22064-1	1	STD FM GAS TRAIN ASSEMBLY
	22064-2		IRI GAS TRAIN ASSEMBLY
	22067		DUAL FUEL FM GAS TRAIN
	22075		DUAL FUEL IRI GAS TRAIN

BLOWER, BURNER & AIR/FUEL VALVE			
ITEM	PART NO.	QTY	DESCRIPTION
5	69078	1	BLOWER
6	24283-4	1	A/F VALVE ASSEMBLY SET (NAT. GAS)
	24283-3		A/F VALVE ASSEMBLY SET (PROPANE)
	24283-6		A/F VALVE ASSEMBLY SET (DUAL-FUEL)
7	24226	1	BMK 2.0 LN STAGED IGNITION ASSY.
	24187		BMK 2.0 LN DF STAGED IGNITION ASSY.- DUAL FUEL MODELS
8	81101	2	BURNER GASKET
(1) 9	46012	1	BURNER

HEAT EXCHANGER			
ITEM	PART NO.	QTY	DESCRIPTION
10	80041	1	HEAT EXCHANGER UPPER INSULATION
11	80040	1	HEAT EXCHANGER LOWER INSULATION (NON DUAL-FUEL)
	80040-1		HEAT EXCHANGER LOWER INSULATION (DUAL-FUEL)
12	28071	1	HEAT EXCHANGER
13			

BLOWER			
ITEM	PART NO.	QTY	DESCRIPTION
15	123815	1	IRIS AIR DAMPER
16	81068	1	BLOWER GASKET
17	39071	1	ADAPTOR, AIR INLET
18	39093	1	CAP, SCREENED, AIR INLET 8"
19	97004-18	1	HOSE, FLEXIBLE 6" I.D. - A/F
20	123583	3	CLAMP HOSE SAE #96
21	81057	1	BLOWER GASKET (A/F)
22	42065	1	BLOWER TO A/F VALVE ADAPTOR
23	81100	1	BLOWER GASKET (TO ADAPTOR)

HOSES, GASKETS, & INSULATION			
ITEM	PART NO.	QTY	DESCRIPTION
(1) 25	88003	1	O-RING #2-339 (A/F VALVE)
26	62005	1	CORD GRIP
27			
28			
29			

CONTROLS				
ITEM	PART NO.	QTY	DESCRIPTION	
	30	123966	1	OVER TEMP SWITCH AUTO
	31	123552	1	OVER TEMP SWITCH MANUAL
	32	61002-5	1	BLOCKED INLET SWITCH
	33	60011-2	1	BLOWER PROOF SWITCH
	34	161560	1	I/O WIRING BOX
	35	181197	1	C-MORE CONTROL BOX
	36	GP-122464	1	IGNITION TRANSFORMER
	37	33117	1	OVER TEMP. SWITCH BRACKET
(1)	39	61024	1	AIR TEMP SENSOR
(1)	41	GP-122569	1	IGNITION CABLE ASSY.
(1)	42	63016-1	1	BMK2.0LN SHELL HARNESS
(1)(5)	46	64059	1	120V POWER WIRING BOX
(1)	47	161450	1	BMK2.0LN GAS TRAIN WIRING HARNESS
(1)	48	69126	1	LWCO / CAPACITOR ASSEMBLY KIT
(1)	49	123449	1	SHELL TEMP. SENSOR
(1)	50	161521	1	THERMOWELL, DUAL AQUASTAT BULB
(6)	51	61002-1	1	LOW GAS PRESSURE SWITCH (NON DUAL-FUEL)
		61002-18	1	LOW GAS PRESSURE SWITCH DUAL-FUEL - NAT. GAS
		61002-18	1	LOW GAS PRESSURE SWITCH DUAL FUEL - PROPANE
(5)(7)	52	61002-12	1	HIGH GAS PRESSURE SWITCH (NON DUAL FUEL)
		61002-17	1	DUAL FUEL HGPS - NAT. GAS
		61002-16	1	DUAL FUEL HGPS - PROPANE
	53	65090	1	DRIVE REACTOR
	54			
	55			

OTHER DUAL FUEL COMPONENTS				
ITEM	PART NO.	QTY	DESCRIPTION	
(1)(4)	63	72031	1	"PROPANE" LABEL
(1)(4)	64	72032	1	"NAT. GAS" LABEL
(1)(4)(5)	65	63032	1	DOUBLE GAS TRAIN WIRING HARNESS
(4)	66	65024-1	1	FUEL SELECTOR SWITCH
(4)	68	72030	1	FUEL SELECTOR SWITCH LABEL
(1)(4)	69	63034-1	1	DUAL FUEL WIRING HARNESS
	70			

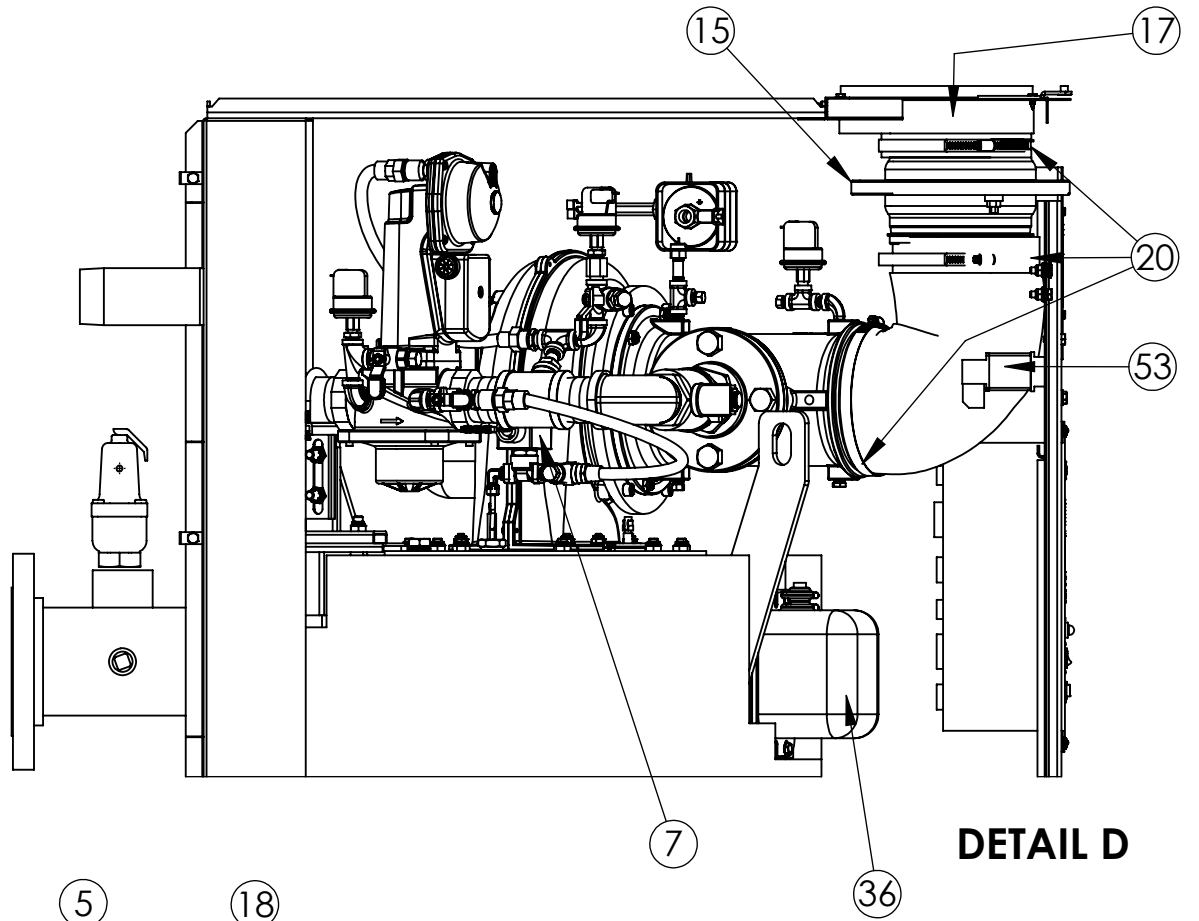
SHEET METAL / PANEL ASSEMBLY				
ITEM	PART NO	QTY	DESCRIPTION	
	71	37024	1	LEFT REAR PANEL
	72	37023	1	RIGHT REAR PANEL
	73	49064	2	TOP RAIL
	74	201233	1	MOUNTING PANEL
	75	201113	1	FRONT PANEL ENCLOSURE
	76	201120	1	FRONT DOOR ASSY.
	77	GP-122620	4	HANDLE
	78	37019	2	TOP PANEL
	79	37002	4	SIDE PANEL
	80	74002	1	BMK2.0LN LOGO

OTHER PARTS				
ITEM	PART NO	QTY	DESCRIPTION	
	81	99017	1	GAS PRESSURE SNUBBER - PART OF GAS TRAIN
	82			
	83			
	84			
	85			

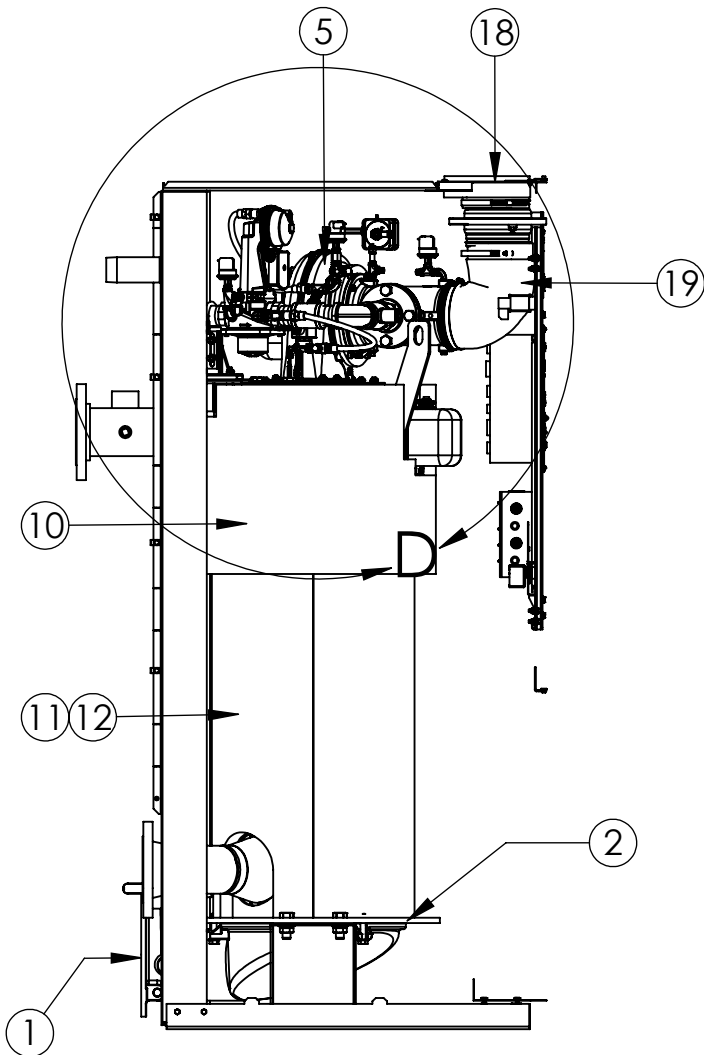
OTHER ACCESORIES / PARTS				
ITEM	PART NO.	QTY	DESCRIPTION	
(1)(2)	56	69087 -□	1	PRESS./TEMP. GAUGE
	57	SEE SD-A-613	1	PRESSURE RELIEF VALVE
(1)(6)	58	92006-7	1	EXT. MANUAL SHUT-OFF VALVE
(1)	59	91030	1	1" DRAIN HOSE, 60" LG
(5)	60	92006-7	1	1 1/2" NPT BALL VALVE
(1)	61	24060	1	COND. TRAP ASSEMBLY
	62			

NOTES:

- (1) NOT SHOWN IN DRAWING
- (2) -5 (30 AND 50 PSI RELIEF VALVE SETTING)  
-6 (60,75,100 & 125 PSI RELIEF VALVE SETTING)  
-7 (150 PSI RELIEF VALVE SETTING)
- (3) FOR PICTORAL PURPOSES ONLY, FM GAS TRAIN (NON DUAL FUEL) IS SHOWN
- (4) ONLY NEEDED ON DUAL FUEL
- (5) PART OF GAS TRAIN ASSY.
- (6) TWO (2) REQUIRED FOR DUAL FUEL BMK2.0 LN
- (7) SEE DRAWING AP-A- FOR DUAL FUEL DETAILS



**DETAIL D**



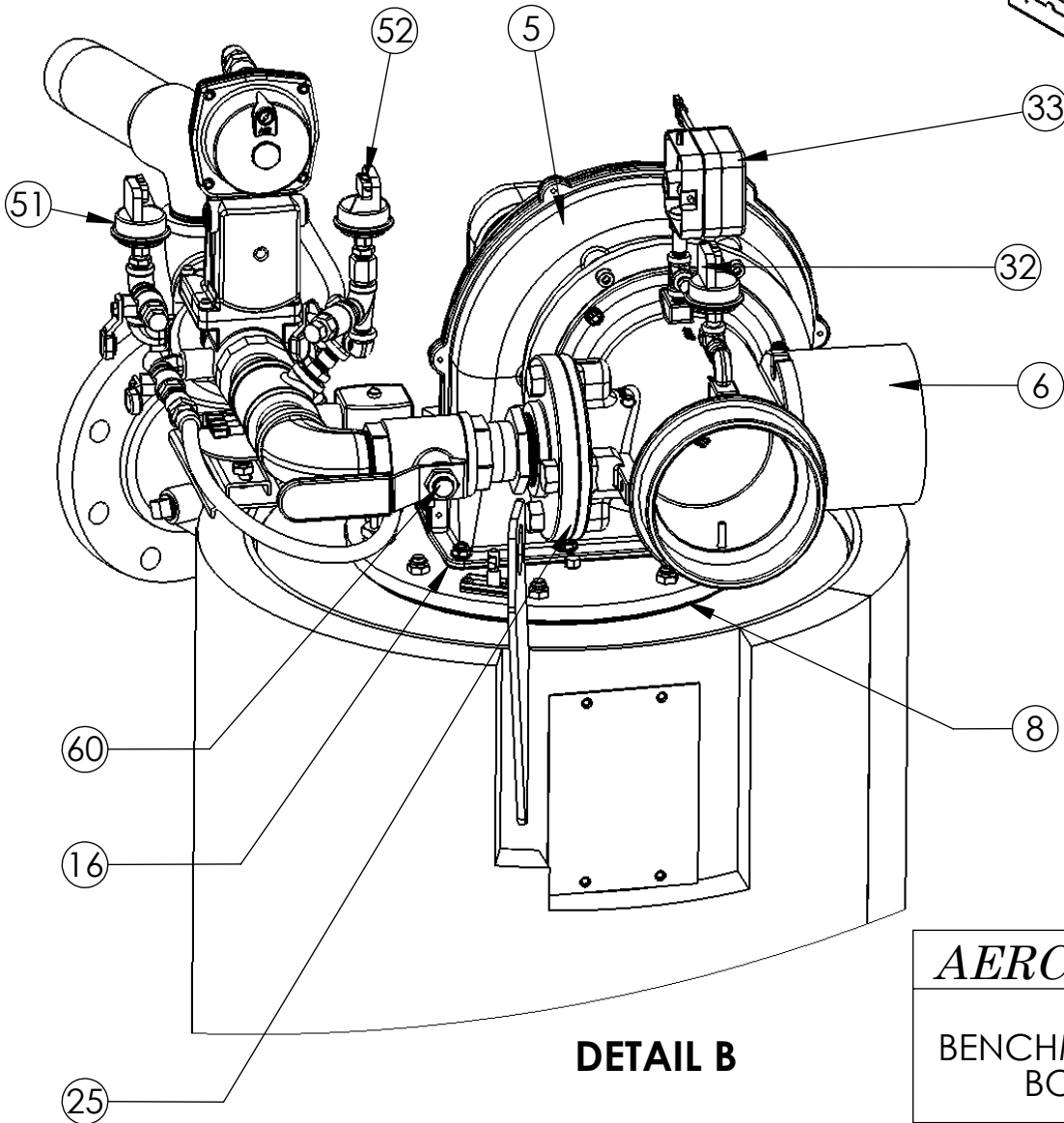
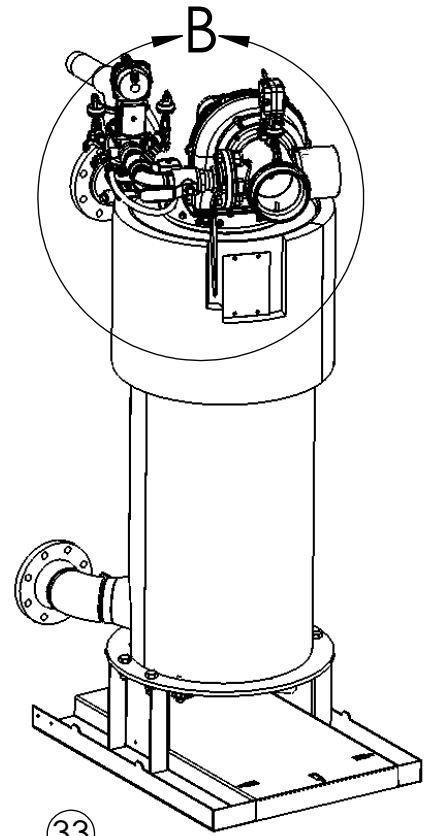
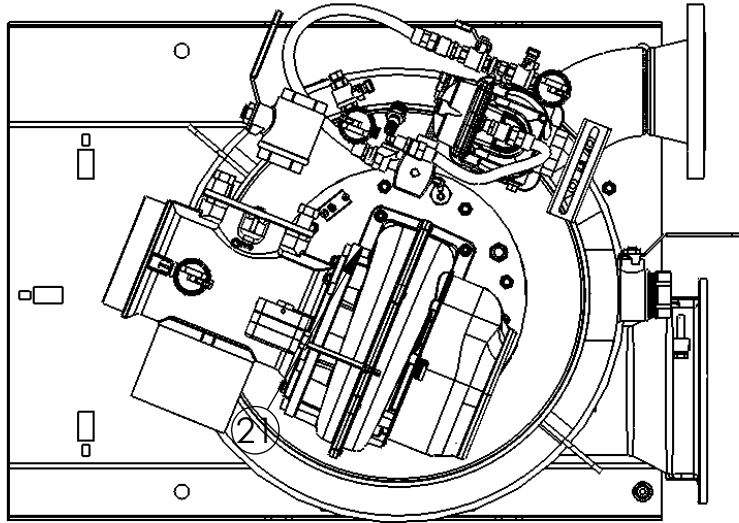
**AERCO INTERNATIONAL, INC.**  
NORTHVALE, NJ 07647

**BENCHMARK 2.0 LOW NOx  
BOILER PARTS LIST**

DRAWN BY: SJD  
DATE: 10/13/09  
\*NOT TO SCALE\*

**PL - A - 158**  
(SHEET 3 OF 7)

**F**



**DETAIL B**

**AERCO** INTERNATIONAL, INC.  
NORTHVALE, NJ 07647

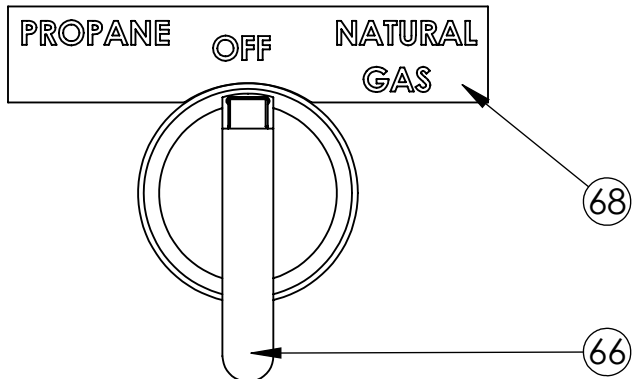
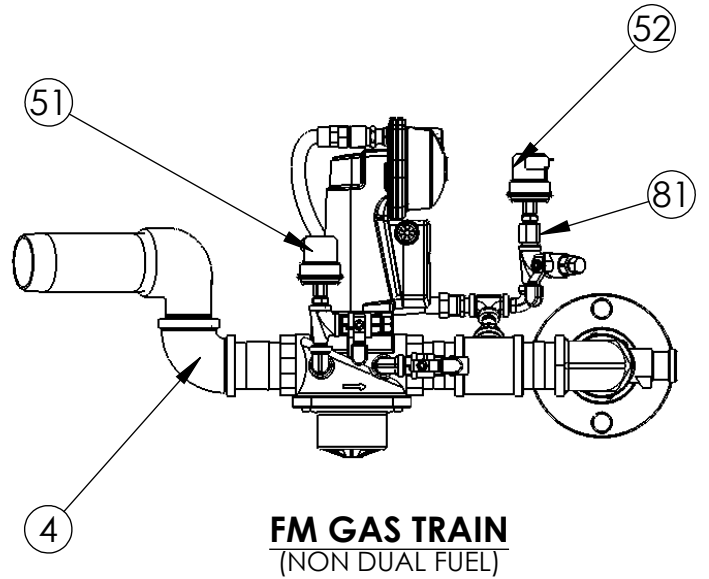
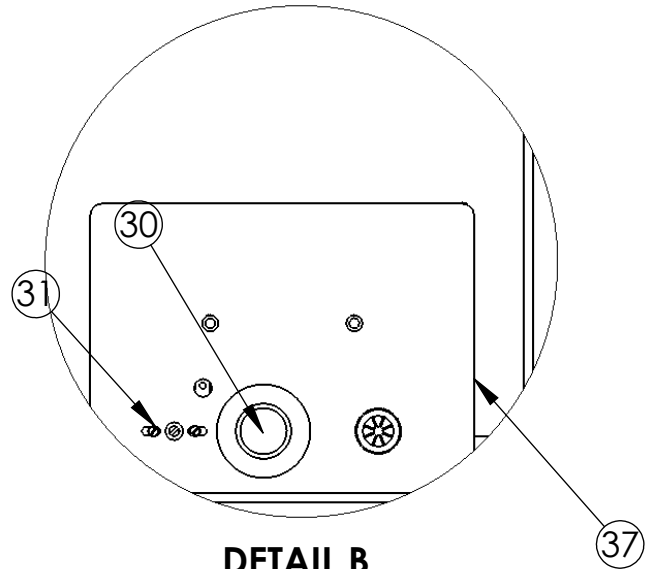
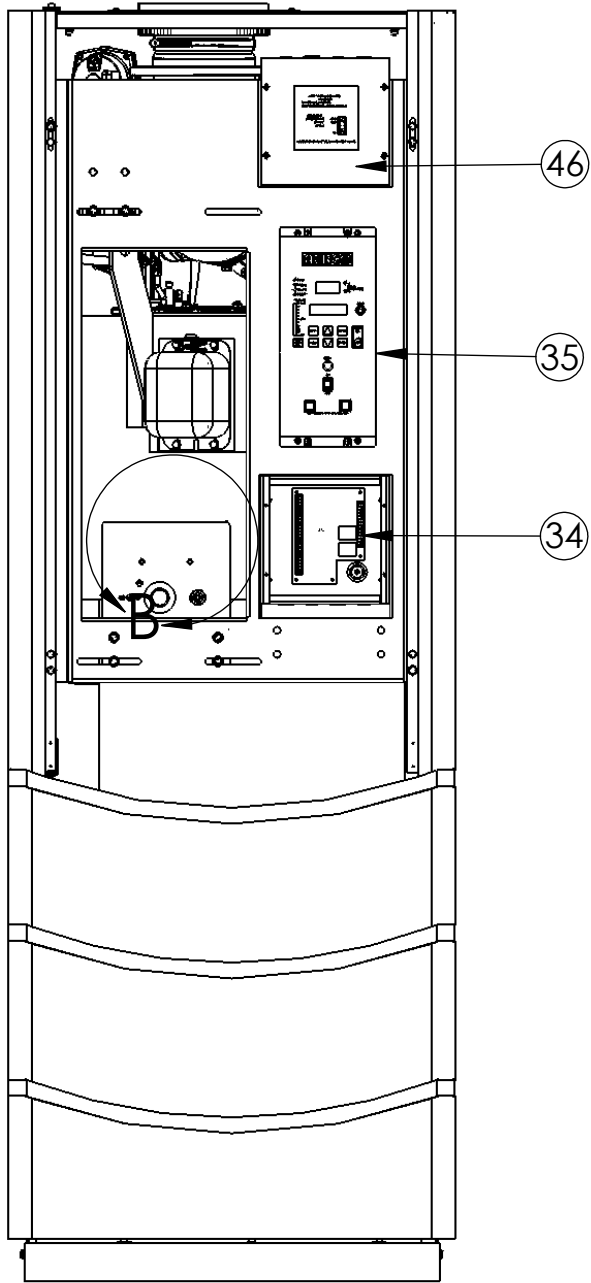
**BENCHMARK 2.0 LOW NOx  
BOILER PARTS LIST**

DRWN BY: SJD  
DATE: 10/13/09

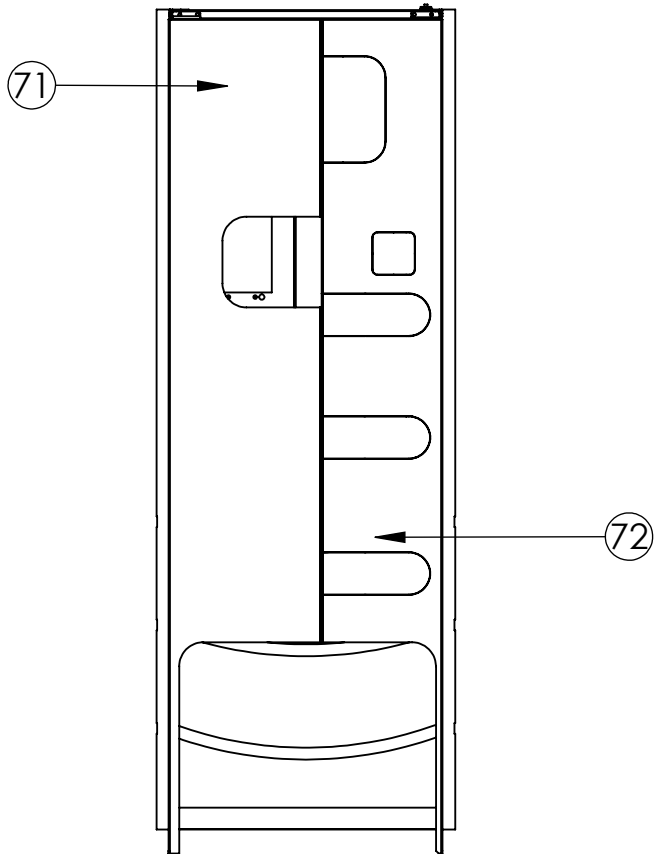
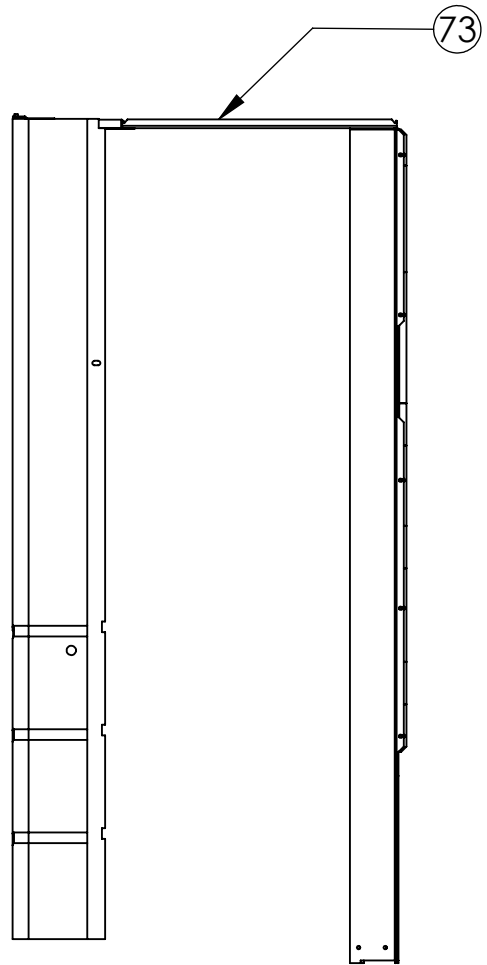
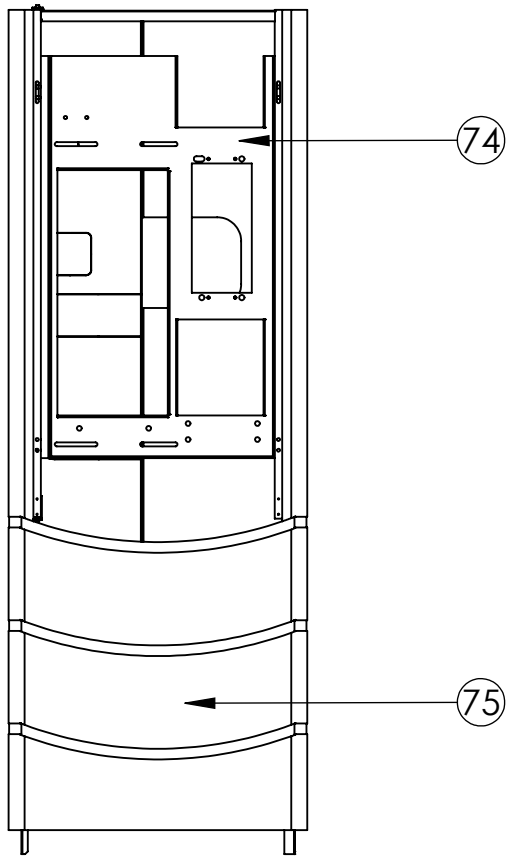
**PL - A - 158**  
(SHEET 4 OF 7)

REV  
**F**

\*NOT TO SCALE\*



<b>AERCO</b> INTERNATIONAL, INC. NORTHVALE, NJ 07647	
<b>BENCHMARK 2.0 LOW NOx BOILER PARTS LIST</b>	
DRWN BY: <u>SJD</u> DATE: <u>10/13/09</u>	PL - A - 158 (SHEET 5 OF 7)
*NOT TO SCALE*	REV F



**AERCO** INTERNATIONAL, INC.  
NORTHVALE, NJ 07647

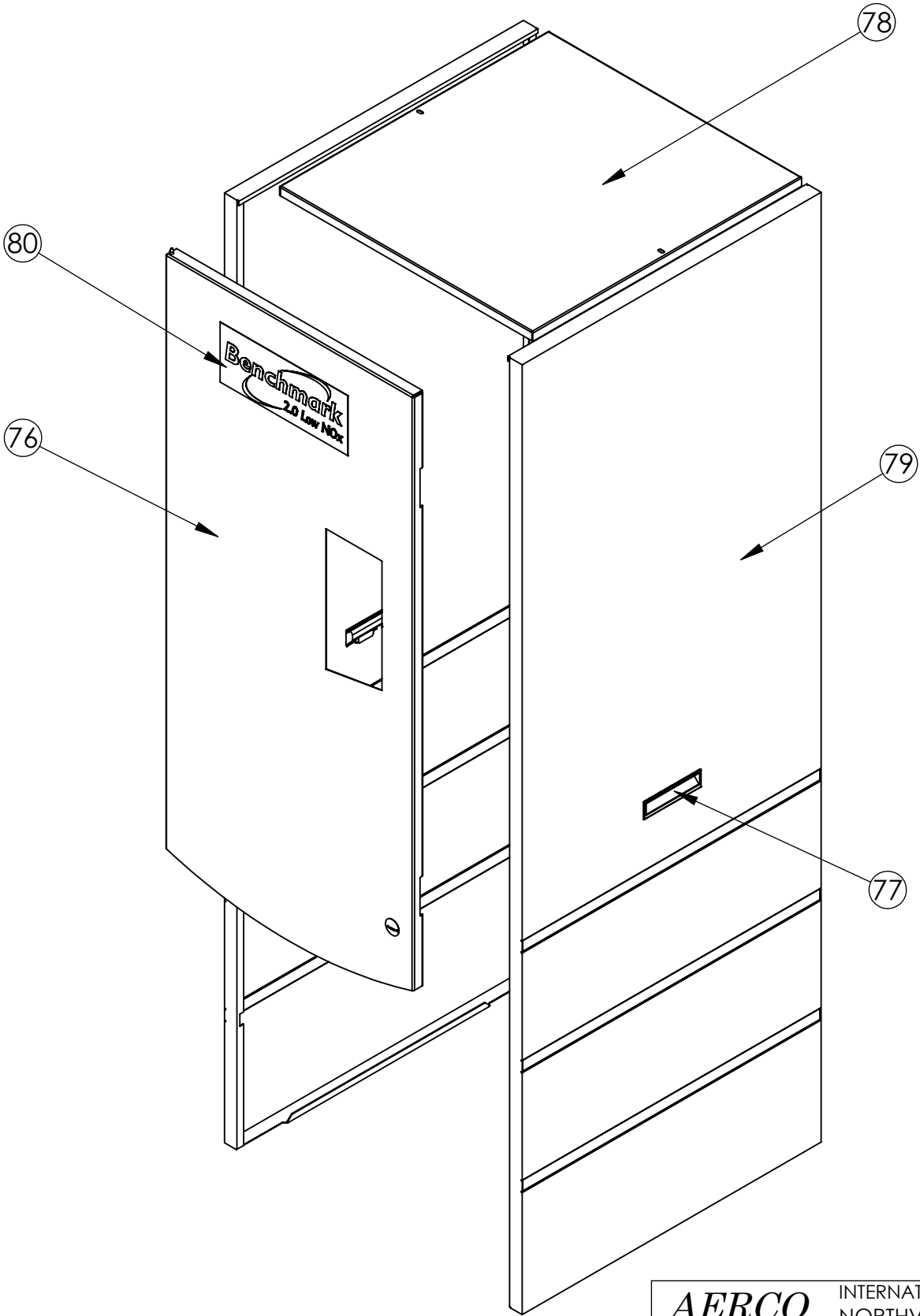
**BENCHMARK 2.0 LOW NOx  
BOILER PARTS LIST**

DRWN BY: SJD  
DATE: 10/13/09

\*NOT TO SCALE\*

**PL - A - 158**  
(SHEET 6 OF 7)

REV  
**F**



**AERCO** INTERNATIONAL, INC.  
NORTHVALE, NJ 07647

**BENCHMARK 2.0 LOW NOx  
BOILER PARTS LIST**

DRWN BY: SJD  
DATE: 10/13/09

**PL - A - 158**  
(SHEET 7 OF 7)

REV  
**F**

\*NOT TO SCALE\*